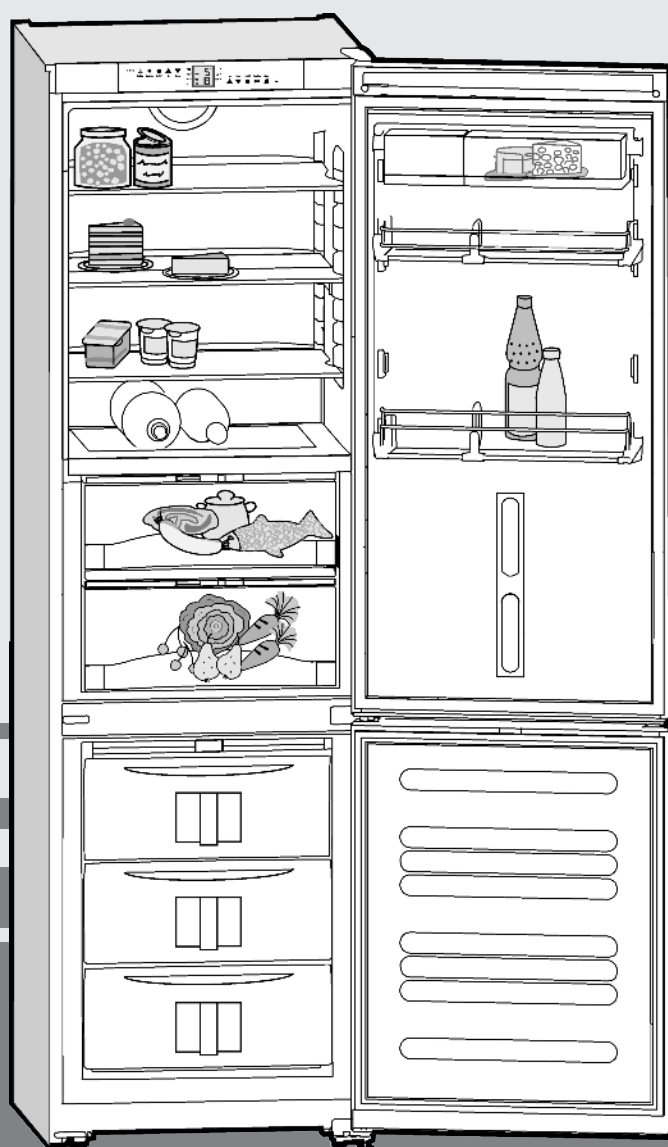


Operating and installation instructions

Combined fridge-freezer with BioFresh compartment

GB



231110 **7084570 - 00**

CBN(P)gw/gb ... 6

LIEBHERR

Appliance at a glance

Contents

1	Appliance at a glance	2
1.1	Description of appliance and equipment.....	2
1.2	Range of appliance use.....	2
1.3	Conformity.....	3
1.4	External dimensions of the appliance.....	3
1.5	Saving energy.....	3
1.6	HomeDialog.....	3
2	General safety information	3
3	Controls and displays	4
3.1	Operating and control elements.....	4
3.2	Temperature display.....	4
4	Putting into operation	4
4.1	Transporting the appliance.....	4
4.2	Installing the appliance.....	4
4.3	Changing over the door hinges.....	5
4.4	Insertion into a row of kitchen units.....	8
4.5	Disposing of packaging.....	9
4.6	Connecting the appliance.....	9
4.7	Switching on the appliance.....	9
5	Control	9
5.1	Brightness of the temperature display.....	9
5.2	Child proofing.....	9
5.3	Door alarm.....	9
5.4	Temperature alarm.....	10
5.5	Refrigerator compartment.....	10
5.6	BioFresh compartment.....	11
5.7	Freezer compartment.....	13
6	Maintenance	14
6.1	Defrosting with NoFrost.....	14
6.2	Cleaning the appliance.....	14
6.3	Changing the interior light with bulb.....	14
6.4	Customer service.....	15
7	Malfunction	15
8	Decommissioning	16
8.1	Switching off the appliance.....	16
8.2	Taking the appliance out of service.....	16
9	Disposing of the appliance	16

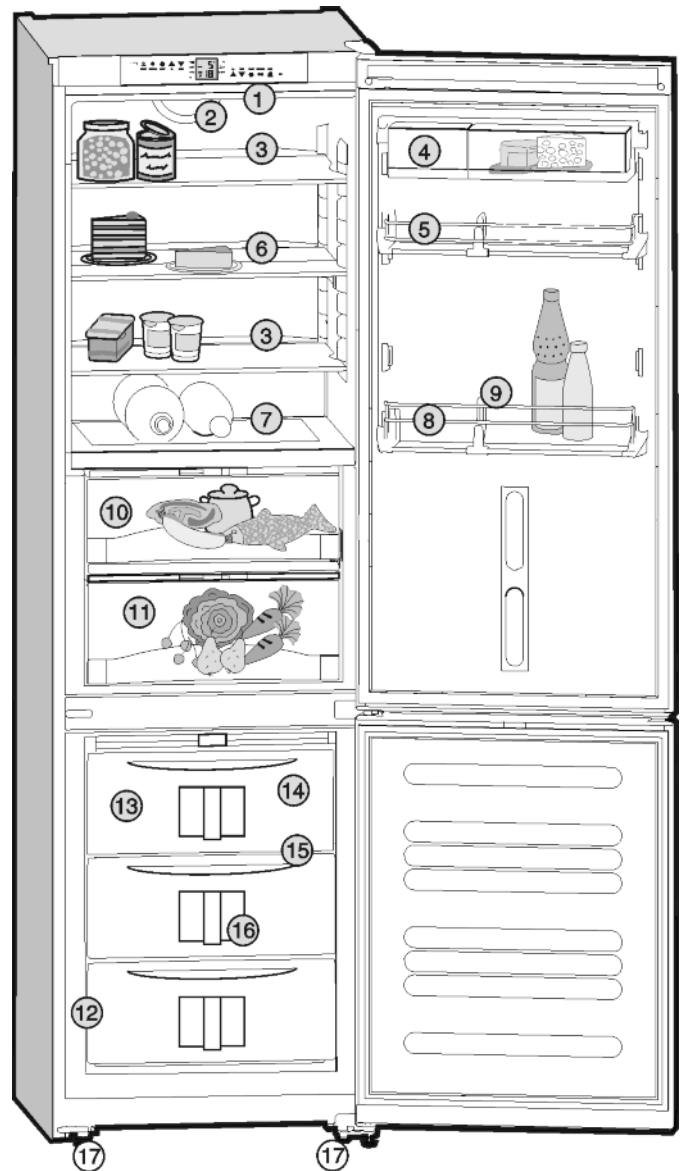


Fig. 1

- | | |
|--|--|
| (1) Interior light | (10) BioFresh compartment, regulable |
| (2) Fan | (11) BioFresh compartment, regulable |
| (3) Glass shelf, relocatable | (12) Type plate |
| (4) Boxes, removable | (13) Freezer compartment |
| (5) Rack for tinned food, relocatable | (14) Cold storage accumulators |
| (6) Sectioned glass shelf, relocatable | (15) VarioSpace |
| (7) Separating plate with bottle shelf | (16) Information system |
| (8) Bottle rack, relocatable | (17) Adjustable-height feet, transport grips at front, transport castors at back |
| (9) Bottle holder | |

The manufacturer works constantly on the further development of all the types and models. Therefore please understand that we have to reserve the right to make design, equipment and technical modifications.

To get to know all the benefits of your new appliance, please read the information contained in these instructions carefully.

The instructions apply to several models. Differences may occur. Text relating only to specific appliances is marked with an asterisk (*).

Instructions for action are marked with a ►, the results of action are marked with a ▷.

1 Appliance at a glance

1.1 Description of appliance and equipment

Note

- Place food inside the appliance as shown in the diagram. This allows the appliance to save energy during operation.
- Shelves, drawers and baskets are arranged for optimum energy efficiency on delivery.

1.2 Range of appliance use

The appliance is suitable solely for cooling food in a domestic environment or similar. This includes use in, for example

- in staff kitchenettes, bed and breakfast establishments,
- by guests in country homes, hotels, motels and other forms of accommodation,
- in catering and similar services in the wholesale trade

Use the appliance solely as is customary within a domestic environment. All other types of use are inadmissible. The appli-

ance is not suitable for storing and cooling medicines, blood plasma, laboratory preparations or similar substances and products covered by the 2007/47/EC Medical Devices Directive. Misuse of the appliance can result in the stored products suffering harm or perishing. Furthermore, the appliance is not suitable for operation in potentially explosive atmospheres.

The appliance is set to operate within specific ambient temperature limits according to its climate rating. The correct climate rating for your appliance is indicated on the type plate.

Note

► Compliance with the ambient temperatures indicated is required, otherwise the cooling performance is reduced.

Climate rating	for ambient temperatures of
SN	10 °C to 32 °C
N	16 °C to 32 °C
ST	16 °C to 38 °C
T	16 °C to 43 °C

1.3 Conformity

The refrigerant circuit has been tested for leaks. The appliance complies with current safety regulations and EC directives 2006/95/EC and 2004/108/EC.

1.4 External dimensions of the appliance

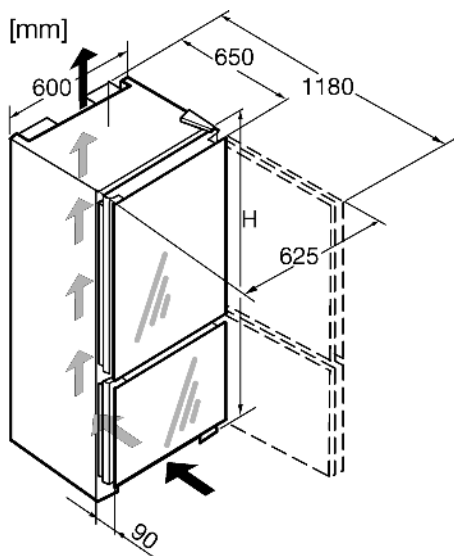


Fig. 2

Model	Height of appliance H (mm)
CBNg. 39, CBNPg. 39	2011

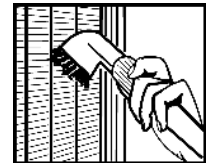
1.5 Saving energy

- Always ensure good ventilation. Do not cover ventilation openings or grille.
- Always keep fan louvres clear.
- Do not place appliance in areas of direct sunlight or next to a stove, heater or similar object.
- The energy consumption depends on the installation conditions, e.g. the ambient temperature (see 1.2) .
- Keep the time the appliance is open to a minimum.
- The lower the temperature setting, the higher the power consumption.

- Store food logically. (see Appliance at a glance).
- Ensure that all food is well packed and covered for storage. This will prevent frost from forming.
- Remove food as needed in order that it does not warm too much.
- First cool warm food to room temperature before storing it .
- Defrost frozen food in the refrigerator.
- Use the vacation function for longer vacation periods (see 5.5.4) .

Accumulated dust increases the energy consumption:

- Once a year, dust the refrigerating unit together with the metal grille of the heat exchanger at the back of the appliance.



1.6 HomeDialog

Depending on model and options, the HomeDialog system can be used to network a number of Liebherr appliances (situated, for example, in the basement) with a main appliance (sited, for example, in the kitchen) and control them via the latter. You will find more information on the benefits, requirements and principle of operation on the internet at www.liebherr.com.



2 General safety information

Danger for the user:

- This appliance is not designed for persons (including children) with physical, sensory or mental impairment or persons not having sufficient experience and knowledge, unless they are instructed in the use of the appliance and are initially supervised by a person responsible for their safety. Keep children under supervision to ensure they do not play with the appliance.
- In case of a fault, pull out the mains plug (not by pulling the connecting cable) or switch off the fuse.
- Have any repairs to or intervention in the appliance, and any change of the mains power cable, carried out by the customer service only or by other specialised personnel trained for the purpose.
- When disconnecting the appliance from the supply, always take hold of the plug. Do not pull the cable.
- Install and connect the appliance only as instructed.
- Please keep these instructions in a safe place and pass them on to any subsequent owners.
- Special-purpose lamps (incandescent lamps, LEDs, fluorescent tubes) in the appliance serve to illuminate the appliance interior and are not suited for room illumination.

Fire hazard:

- The refrigerant R 600a is environmentally friendly but flammable. Escaping refrigerant may ignite.
 - Do not damage the refrigerant circuit pipes.
 - Do not allow naked flames or ignition sources to enter the appliance.
 - Do not use any electrical appliances in the interior (e.g. steam cleaners, heaters, ice cream maker etc.).
 - If refrigerant escapes: eliminate naked flames or sources of ignition from the vicinity. Pull out the power plug. Ventilate the area well. Notify customer service.
- Do not store explosives or sprays using combustible propellants such as butane, propane, pentane, etc. in the appliance. Respective spray cans can be identified by reference to the contents printed on the can or by a flame symbol. Gases possibly escaping may ignite due to electrical components.

Controls and displays

- Do not place any burning candles, lamps or other items with naked flames on or in the appliance.
- Only store high-percentage alcohol in tightly sealed, upright containers. Alcohol possibly escaping may ignite due to electrical components.

Danger of tipping and falling:

- Do not misuse the plinth, drawers, doors etc. as a step or for support. This applies particularly to children.

Danger of food poisoning:

- Do not consume food which has been stored too long.

Danger of frostbite, numbness and pain:

- Avoid lasting skin contact with cold surfaces or refrigerated/frozen food or take protective steps, e.g. wear gloves. Do not consume ice cream, water ice or ice cubes immediately and do not consume them too cold.

Please observe the specific information in the other sections:

	DANGER	identifies a situation involving direct danger which, if not obviated, may result in death or severe bodily injury.
	WARNING	identifies a dangerous situation which, if not obviated, may result in death or severe bodily injury.
	CAUTION	identifies a dangerous situation which, if not obviated, may result in minor or medium bodily injury.
	NOTICE	identifies a dangerous situation which, if not obviated, may result in damage to property.
	Note	identifies useful information and tips.

3 Controls and displays

3.1 Operating and control elements

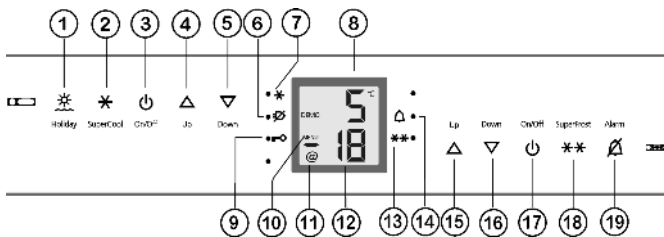


Fig. 3

- | | |
|---|---|
| (1) Holiday button | (11) HomeDialog symbol |
| (2) SuperCool button | (12) Freezer compartment temperature display |
| (3) On/Off button, refrigerator compartment | (13) SuperFrost symbol |
| (4) Up setting button, refrigerator compartment | (14) Alarm symbol |
| (5) Down setting button, refrigerator compartment | (15) Up setting button, freezer compartment |
| (6) Power failure symbol | (16) Down setting button, freezer compartment |
| (7) SuperCool symbol | (17) On/Off button, freezer compartment |
| (8) Refrigerator compartment temperature display | (18) SuperFrost button |
| (9) Child lock symbol | (19) Alarm button |
| (10) Menu symbol | |

3.2 Temperature display

The following are displayed in normal operation:

- the warmest freezing temperature
- the average cooling temperature

The freezer compartment temperature display flashes:

- the temperature setting is being changed
- after switch-on the temperature is not yet cold enough
- the temperature has risen several degrees

Dashes flash in the display:

- the freezer temperature is above 0 °C.

The following displays indicate malfunction. Possible causes and corrective action (see Malfunction).

- F0 to F9

- The power failure symbol shines.

4 Putting into operation

4.1 Transporting the appliance



CAUTION

Risk of injury and danger of damage as a result of incorrect transport!

- Transport the appliance in a packed condition.
- Transport the appliance upright.
- Do not transport the appliance without assistance.

4.2 Installing the appliance

In the event that the appliance is damaged, contact the supplier immediately before connecting to the mains.

The floor at the site must be flat and level.

Do not install the appliance in a location where it is exposed to direct radiation of the sun, next to a cooker, heater and similar.

Always install the appliance with the back directly against the wall.

Do not install the appliance without assistance.

Standard EN 378 specifies that the room in which you install your appliance must have a volume of 1 m³ per 8 g of R 600a refrigerant used in the appliance. If the room in which the appliance is installed is too small, a flammable gas-air mixture may form in the event of a leakage in the refrigeration circuit. The quantity of refrigerant used in your appliance is indicated on the type plate on the inside of the appliance.

The appliance may be moved only when it is empty.



CAUTION

Risk of injury and damage!

The glass door may strike against the wall and be damaged as a result. The fractured glass may lead to injury!

- Protect the glass door from striking against the wall. Fit a door stop, e.g. one made of felt, to the wall.
- A limiter restricting door opening to 90° can be ordered from the aftersales service.



WARNING

Fire hazard due to dampness!

If live parts or the mains lead become damp this may cause short circuits.

- ▶ The appliance is designed for use in enclosed areas. Do not operate the appliance outdoors or in areas where it is exposed to splash water or damp conditions.



WARNING

Fire hazard due to refrigerant!

The refrigerant R 600a is environmentally friendly but flammable. Escaping refrigerant may ignite.

- ▶ Do not damage the piping of the refrigeration circuit.



WARNING

Fire hazard and danger of damage!

- ▶ Do not place appliances emitting heat e.g. microwaves, toasters etc. on the appliance!



WARNING

Blocked ventilation openings pose a risk of fire and damage!

- ▶ Always keep the ventilation openings clear. Always ensure that the appliance is properly ventilated!

- ▶ Detach the connecting cable from the rear of the appliance, removing the cable holder at the same time because otherwise there will be vibratory noise!

- ▶ Remove the protective film from the decorative trims and drawer fronts.

- ▶ Remove all transit supports.

- ▶ Dispose of packaging material (see 4.5) .

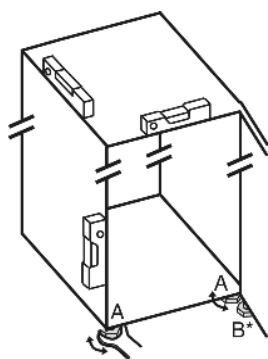
NOTICE

Risk of damage due to condensate!

- ▶ Do not install the appliance directly alongside a further refrigerator/freezer.

- ▶ Align the appliance so that it stands firmly and on a level by applying the accompanying spanner to the adjustable-height feet (A) and using a spirit level.

- ▶ Then support the door: Extend the adjustable foot at the turn hinge (B) until it rests on the floor and then make a further 90° turn.



Note

- ▶ Clean the appliance (see 6.2) .

If the appliance is installed in a very damp environment, condensate may form on the outside of the appliance.

- ▶ Always see to good ventilation at the installation site.

4.3 Changing over the door hinges



WARNING

Risk of injury and damage due to pieces of broken glass!

The glass door is heavy. If it falls or there is impact on the glass edges, the glass pane may shatter.

- ▶ Protect the door properly when detaching it!
- ▶ Detach the glass door working in a team of two.
- ▶ Put the door down on a soft mat.

Ensure that the following tools are to hand:

- Torx® 25
- Torx® 15
- Screwdriver
- Cordless screwdriver, if necessary
- A soft mat

4.3.1 Detaching the upper soft stop mechanism

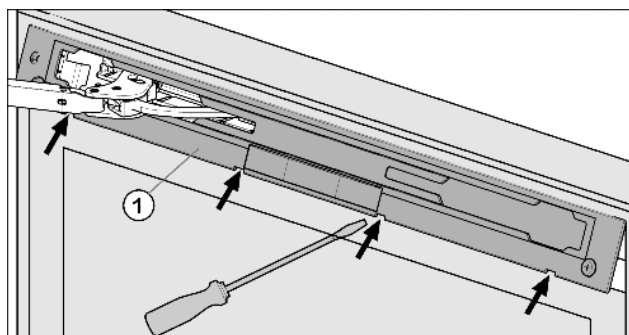


Fig. 4

- ▶ Open the upper door.

NOTICE

Risk of damage!

If the door seal is damaged, the door may fail to close properly and the cooling will be inadequate.

- ▶ Do not damage the door seal with the screwdriver!

- ▶ Disengage and remove the faceplate Fig. 4 (1) using a flat-blade screwdriver.

- ▷ The faceplate is attached over the soft stop bracket.

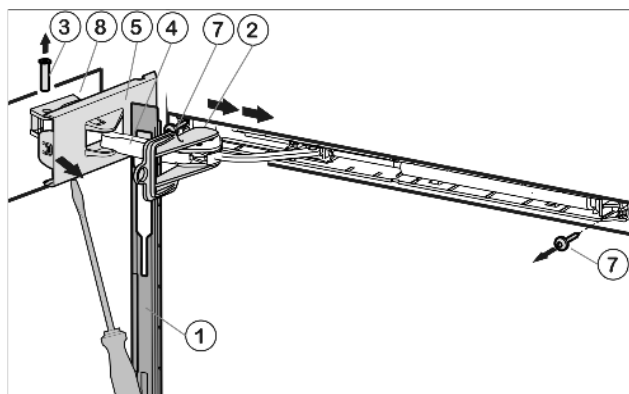


Fig. 5

- ▶ Slide the faceplate forwards over the soft stop bracket Fig. 5 (4) in the direction of the appliance.

- ▶ Snap the accompanying safety lock Fig. 5 (2) into the oblong hole.

- ▷ The safety lock prevents the hinge from snap-closing.

- ▶ Using a screwdriver, detach the cover Fig. 5 (5) on the hinge side as far as the first detent.

- ▷ The pin becomes visible.

- ▶ Press the pin Fig. 5 (3) out from underneath.

Putting into operation

- ▶ Press the soft stop bracket *Fig. 5 (4)* towards the door.
- ▶ Fully detach the cover *Fig. 5 (5)* on the hinge side and remove it.
- ▶ Remove the faceplate *Fig. 5 (1)*.
- ▶ Using a screwdriver, detach the cover on the handle side *Fig. 6 (6)* and remove it outwards.

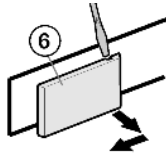


Fig. 6

- ▶ Unscrew the soft stop unit (2x Torx® 15) *Fig. 5 (7)*.
- ▶ Pull the soft stop unit out a little, push it in the direction of the handle side and swing it out.
- ▶ Set the soft stop unit aside.
- ▶ Unscrew the bearing element *Fig. 5 (8)*, turn it 180° and transfer it to the opposite side. Possibly make preliminary holes with a bradawl or use a cordless screwdriver.

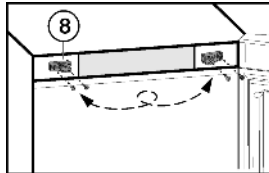


Fig. 7

4.3.2 Detaching the upper door

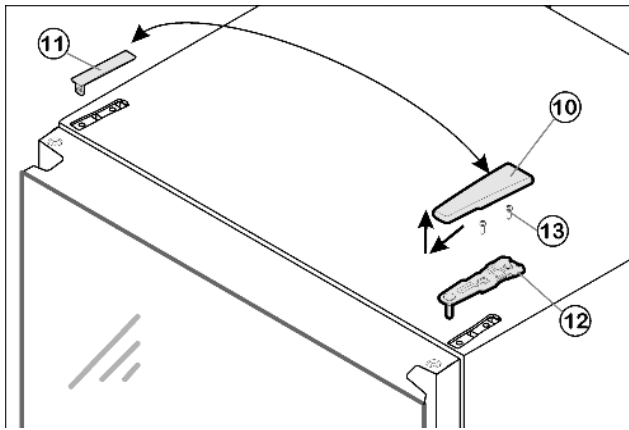


Fig. 8

- ▶ Close the upper door.
- ▶ Pull off the cover *Fig. 8 (10)* forwards and upwards.
- ▶ Lift off the cover *Fig. 8 (11)*.



CAUTION

Risk of injury if the door tips!

- ▶ Take good hold of the door.
- ▶ Set down the door carefully.
- ▶ Unscrew the upper turn hinge *Fig. 8 (12)* (2x Torx® 25) *Fig. 8 (13)* and lift it off.
- ▶ Lift off the upper door and set it aside.

4.3.3 Detaching the lower soft stop mechanism

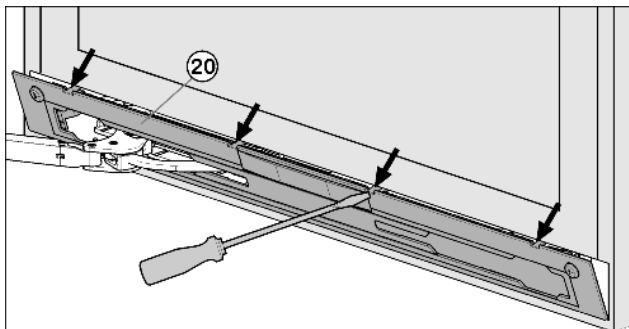


Fig. 9

- ▶ Open the lower door.

NOTICE

Risk of damage!

If the door seal is damaged, the door may fail to close properly and the cooling will be inadequate.

- ▶ Do not damage the door seal with the screwdriver!

- ▶ Disengage and remove the faceplate *Fig. 9 (20)* using a flat-blade screwdriver.
- ▶ The faceplate is attached over the soft stop bracket.

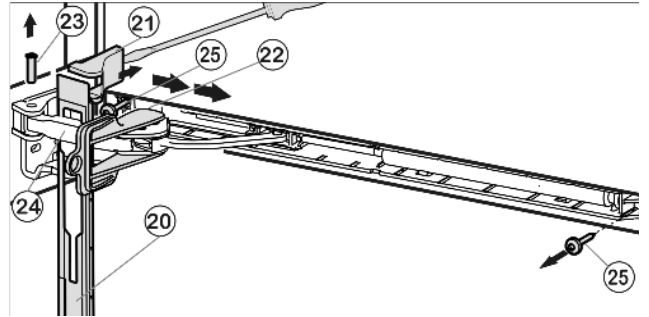


Fig. 10

- ▶ Slide the faceplate forwards over the soft stop bracket *Fig. 10 (24)* in the direction of the appliance.
- ▶ Snap the safety lock *Fig. 10 (22)* into the oblong hole.
- ▶ The safety lock prevents the hinge from snap-closing.
- ▶ Using a screwdriver, lift off the cover *Fig. 10 (21)* from the outside and remove it in an outward direction.
- ▶ If necessary, tip the appliance backwards with the assistance of a second person.
- ▶ Press the pin *Fig. 10 (23)* out from underneath.
- ▶ Press the soft stop bracket *Fig. 10 (24)* towards the door.
- ▶ Remove the faceplate *Fig. 10 (20)*.
- ▶ Unscrew the entire soft stop unit (2x Torx® 15) *Fig. 10 (25)*.
- ▶ Pull the soft stop unit out a little, push it in the direction of the handle side and swing it out.
- ▶ Set the soft stop unit aside.

4.3.4 Detaching the lower door

- ▶ Close the lower door.
- ▶ Draw the middle bearing pin *Fig. 11 (32)* together with the washer *Fig. 11 (34)* out of the turn hinge and lower door.
- ▶ Remove the plastic cap *Fig. 11 (33)*.



CAUTION

Risk of injury if the door tips!

- ▶ Take good hold of the door.
- ▶ Set down the door carefully.
- ▶ Open the lower door.
- ▶ Unscrew the middle turn hinge *Fig. 11 (31)* (2x Torx® 25).
- ▶ Lift off the lower door and set it aside.

4.3.5 Transferring the middle bearing elements

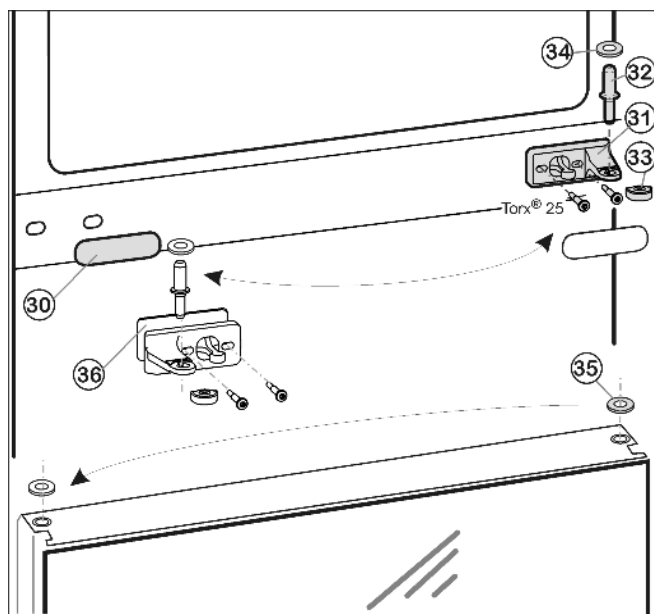


Fig. 11

- ▶ Carefully detach the cover panel Fig. 11 (30).
- ▶ Turn the middle turn hinge Fig. 11 (31) with the washer Fig. 11 (36) through 180° and screw it **firmly** into place on the new hinge side (**with 4 Nm**).
- ▶ Turn the cover panel Fig. 11 (30) through 180° and snap it into place again on the new handle side.
- ▶ Transfer the washer Fig. 11 (35) on the door.

4.3.6 Transferring the lower bearing elements

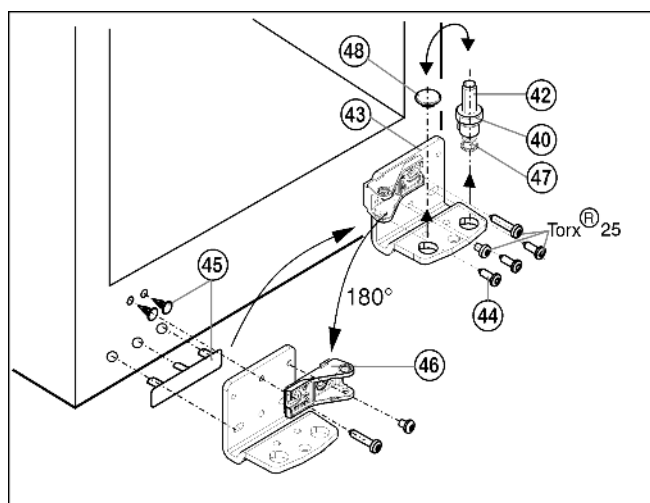


Fig. 12

- ▶ Lift out the bearing pin Fig. 12 (42) together with washer Fig. 12 (40) and adjustable-height foot Fig. 12 (47).
- ▶ Lift off the stopper Fig. 12 (48).
- ▶ Unscrew the turn hinge Fig. 12 (43).
- ▶ Carefully lift off the cover on the handle side and stopper Fig. 12 (45) and transfer them to the opposite side.
- ▶ Screw the bottom turn hinge Fig. 12 (43) firmly into place (**with 4 Nm**) on the new hinge side, possibly using a cordless screwdriver.
- ▶ Unscrew the bearing element Fig. 12 (46), turn it through 180° and screw it back firmly into place, always screw the long screw into the oblong hole!
- ▶ Re-insert the stopper Fig. 12 (48) into the other hole.
- ▶ Re-insert the bearing pin Fig. 12 (42) together with the washer and adjustable-height foot. In so doing, pay attention that the locating lug points backwards

4.3.7 Fitting the lower door

- ▶ Place the door from above onto the lower bearing pin Fig. 12 (42).
- ▶ Close the door.
- ▶ Place the plastic cap Fig. 11 (33) back onto the middle turn hinge Fig. 11 (31).
- ▶ Place the middle bearing pin Fig. 11 (32) in the lower door, on the new hinge side, through the middle turn hinge Fig. 11 (31).
- ▶ Attach the washer Fig. 11 (34) to the middle bearing pin Fig. 11 (32).

4.3.8 Fitting the lower soft stop mechanism

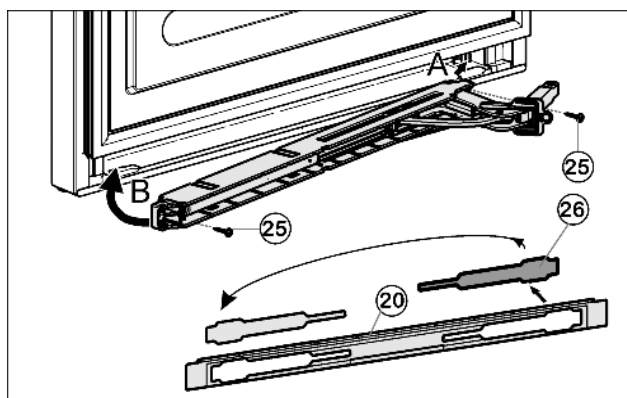


Fig. 13

- ▶ Remove the cover Fig. 13 (26) from the faceplate Fig. 13 (20) and re-insert it at the other side.
- ▶ Engage the soft stop unit with the joint pointing to the hinge side (A) and swivel into place (B).
- ▶ The screw holes at the left and right have to register.
- ▶ Screw the soft stop unit firmly into place (2 x Torx® 15) Fig. 13 (25).

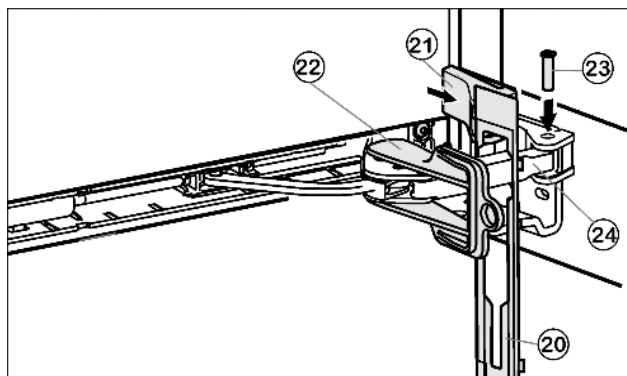


Fig. 14

- ▶ Attach the faceplate Fig. 14 (20) to the soft stop bracket so that the catches face forwards and the front faces the appliance.
- ▶ Draw the soft stop bracket Fig. 14 (24) towards the bearing part and insert the pin Fig. 14 (23) from above so that the square sits in the recess.
- ▶ Attach and engage the cover Fig. 14 (21).
- ▶ Pay attention that the cover fits properly so that the door closes properly and the pin is secured.
- ▶ Twist the safety lock Fig. 14 (22) for removal.
- ▶ Snap the faceplate Fig. 14 (20) onto the door.
- ▶ Close the lower door.

4.3.9 Fitting the upper door

- ▶ Place the upper door on the middle bearing pin Fig. 11 (32).
- ▶ Insert the upper turn hinge Fig. 8 (12) in the door on the new hinge side.

Putting into operation

- ▶ Screw the upper turn hinge **firmly** into place (**with 4 Nm**) (2xTorx® 25) *Fig. 8 (13)*. Possibly make preliminary holes with a bradawl or use a cordless screwdriver.
- ▶ Snap the cover *Fig. 8 (11)* and cover *Fig. 8 (10)* into place at the opposite side.
- ▶ Leave the upper door open.

4.3.10 Fitting the upper soft stop mechanism

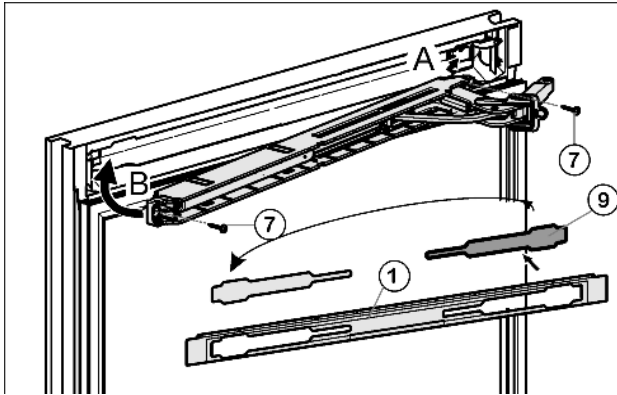


Fig. 15

- ▶ Remove the cover *Fig. 15 (9)* from the faceplate *Fig. 15 (1)* and re-insert it at the other side.
- ▶ Engage the upper soft stop unit with the joint on the hinge side (A) and swivel into place (B).
- ▷ The screw holes at the left and right have to register.
- ▶ Screw the soft stop unit firmly into place (2 mal Torx® 15) *Fig. 15 (7)*.

Note

- ▶ Keep to the correct order. First attach the panel over the soft stop bracket, then the cover.

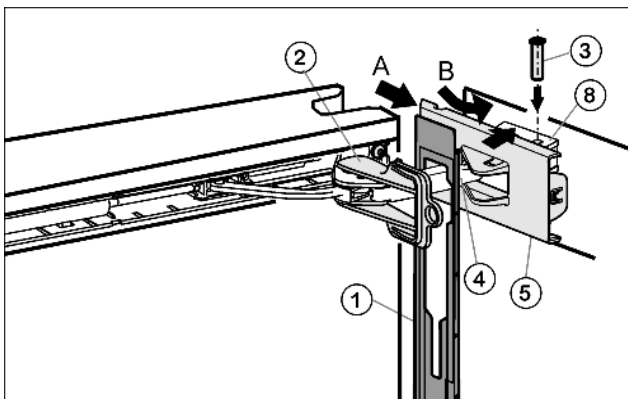


Fig. 16

- ▶ Attach the faceplate *Fig. 16 (1)* to the soft stop bracket *Fig. 16 (4)* so that the catches face inwards and the front faces the appliance.
- ▶ Slide on the cover *Fig. 16 (5)* from the outside (A) and swivel it over the bearing part *Fig. 16 (8)* (B).
- ▶ Attach the cover *Fig. 16 (5)* and engage it as far as the first detent.
- ▷ The openings for the pin are on top of one another after the soft stop bracket has been positioned.
- ▶ Draw the soft stop bracket *Fig. 16 (4)* towards the bearing part and insert the pin *Fig. 16 (3)* from above so that the square sits in the recess.
- ▶ Now completely snap the cover *Fig. 16 (5)* onto the bearing part *Fig. 16 (8)*.
- ▷ Pay attention that the cover fits properly so that the door closes properly and the pin is secured.
- ▶ Twist the safety lock *Fig. 16 (2)* for removal.
- ▶ Slide the faceplate *Fig. 16 (1)* onto the door and snap it into place.

- ▶ Turn the cover *Fig. 6 (6)* through 180°, attach and engage it on the handle side.

4.3.11 Aligning the doors

- ▶ If necessary, align the doors to the appliance housing by way of the oblong holes in the bottom turn hinge *Fig. 12 (43)* and middle turn hinge *Fig. 11 (31)*. To do so, unscrew the middle screw in the bottom turn hinge *Fig. 12 (43)*.



WARNING

Risk of injury due to the door dropping out!

If the bearing parts are not screwed into place firmly enough, the door may drop out. This may lead to severe injuries. What is more, the door may not close and therefore the appliance may fail to cool properly.

- ▶ Screw the turn hinges firmly into place with 4 Nm.
- ▶ Check all of the screws and retighten if necessary.

4.4 Insertion into a row of kitchen units

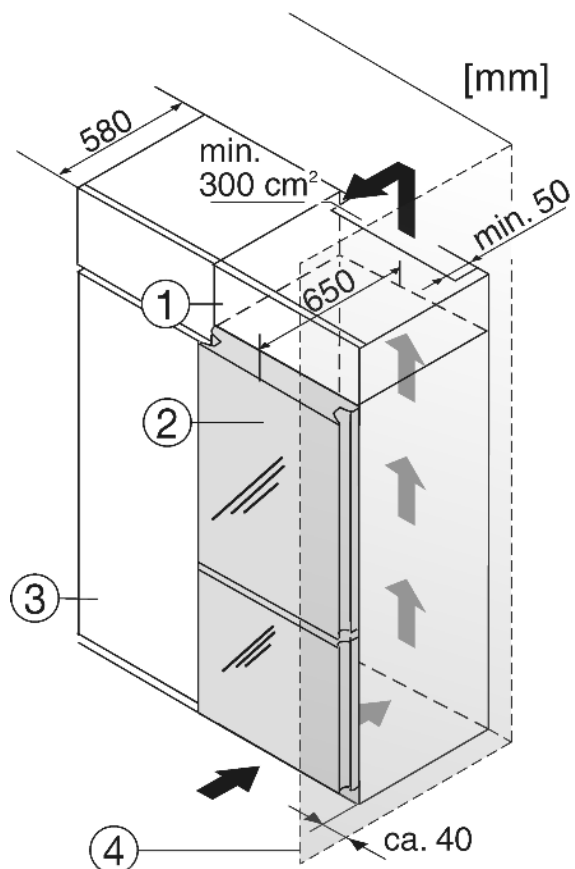


Fig. 17

(1) Stack cabinet
(2) Appliance

(3) Kitchen cabinet
(4) Wall

The appliance can be inserted into a row of kitchen units. To match the appliance *Fig. 17 (2)* to the height of the row of units, a suitable stack cabinet *Fig. 17 (1)* can be fitted above the appliance.

When inserting the appliance into a row of kitchen units (max. depth 580 mm), the appliance can be installed directly next to the kitchen unit *Fig. 17 (3)*. The appliance door projects 70 mm relative to the front of the kitchen units. It can be opened and closed perfectly as a result.

Important for the ventilation:

- At the back of the stack cabinet there has to be a ventilation duct of at least 50 mm depth throughout the width of the stack cabinet.

- The ventilation space under the ceiling has to be at least 300 cm².
- The larger the ventilation space, the more energy-saving the appliance is in operation.

If the appliance is installed with the hinges next to a wall *Fig. 17 (4)*, the distance between appliance and wall has to be at least 40 mm.

4.5 Disposing of packaging



WARNING

Danger of suffocation due to packing material and plastic film!
▶ Do not allow children to play with packing material.

The packaging is made of recyclable materials:

- corrugated board/cardboard
 - expanded polystyrene parts
 - polythene bags and sheets
 - polypropylene straps
 - nailed wooden frame with polyethylene panel*
- ▶ Take the packaging material to an official collecting point.



4.6 Connecting the appliance

NOTICE

Risk of damage to the electronic control system!

- ▶ Do not use stand-alone inverters (conversion of d.c. to a.c./three-phase) or energy saving plugs.



WARNING

Fire and overheating hazard!

- ▶ Do not use extension cables or multiple socket outlets.

The type of current (alternating current) and voltage at the installation site have to conform with the data on the type plate (see Appliance at a glance).

Connect the appliance only with a properly installed socket outlet with earthing contact. The socket outlet must be fused with 10 A or higher.

It must be easily accessible so that the appliance can be quickly disconnected from the supply in an emergency.

- ▶ Check the electrical connection.
▶ Plug in the power plug.



4.7 Switching on the appliance

Note

- ▶ To switch on the entire appliance it is necessary only to switch on the freezer compartment.

Put the appliance into operation about 2 hours before first loading food to be frozen.

Do not load food to be frozen before the temperature display reads -18 °C.

4.7.1 Switching on the freezer compartment

- ▶ Press On/Off button, freezer compartment *Fig. 3 (17)*.
- ▷ The temperature display of the refrigerator compartment indicates the current temperature inside.
 - ▷ The temperature display of the freezer compartment and the alarm symbol flash until the temperature is sufficiently low. If the temperature is above 0 °C, dashes flash. If it is below, the current temperature flashes.

5 Control

5.1 Brightness of the temperature display

You can adjust the brightness of the temperature display to the light conditions of the room in which the appliance is installed.

5.1.1 Adjusting the brightness

The brightness is adjustable between h0 (no illumination) and h5 (maximum luminosity).

- ▶ To activate the setting mode: press the SuperFrost button *Fig. 3 (18)* for about 5 s.
- ▷ The display indicates c.
 - ▷ The menu symbol *Fig. 3 (10)* shines.
 - ▶ Using the Up setting button, freezer compartment *Fig. 3 (15)* or Down setting button, freezer compartment *Fig. 3 (16)*, select h.
 - ▶ To confirm: briefly press the SuperFrost button *Fig. 3 (18)*.
 - ▶ To make the display brighter: press Up button, freezer compartment *Fig. 3 (15)*.
 - ▶ To make the display darker: press Down button, freezer compartment *Fig. 3 (16)*.
 - ▶ To confirm: press SuperFrost button *Fig. 3 (18)*.
 - ▷ The brightness is adjusted to the new value.
 - ▶ To deactivate the set-up mode: press On/Off button, freezer compartment *Fig. 3 (17)*.



-or-

- ▶ Wait for 5 minutes.

- ▷ The temperature is indicated again in the temperature display.

5.2 Child proofing

The child-proofing function enables you to make sure that the appliance is not inadvertently switched off by playing children.

5.2.1 Setting the child lock function

- ▶ To activate the setting mode: press SuperFrost button *Fig. 3 (18)* for about 5 s.
- ▷ The display indicates c.
 - ▷ The menu symbol *Fig. 3 (10)* shines.
 - ▶ Briefly press the SuperFrost button *Fig. 3 (18)* to confirm. When c1 is indicated in the display:
 - ▶ To activate the child lock, briefly press the SuperFrost button *Fig. 3 (18)*.



- ▷ The child lock symbol *Fig. 3 (9)* shines. c flashes in the display.

When c0 is indicated in the display:

- ▶ To deactivate the child lock, briefly press the SuperFrost button *Fig. 3 (18)*.
- ▷ The child lock symbol *Fig. 3 (9)* goes out. c flashes in the display.
 - ▶ To deactivate the set-up mode: press On/Off button, freezer compartment *Fig. 3 (17)*.

-or-

- ▶ Wait for 5 minutes.

- ▷ The temperature is indicated again in the temperature display.

5.3 Door alarm

For refrigerator/BioFresh compartment and freezer compartment

If the door is open longer than 60 s, the audible alarm sounds.

The audible alarm is automatically silenced when the door is closed.

Control

5.3.1 Muting the door alarm

The audible alarm can be muted when the door is open. The sound switch-off function is active as long as the door is left open.

- ▶ Press alarm button *Fig. 3 (19)*.
- ▷ The door alarm is silenced.

5.4 Temperature alarm

The audible alarm sounds if the freezer temperature is not cold enough.

The temperature display and the alarm symbol *Fig. 3 (14)* flash at the same time.

The cause of the temperature being too high may be:

- warm fresh food was placed inside
- too much warm ambient air flowed in when rearranging and removing food
- power failure for some time
- the appliance is faulty

The audible alarm is automatically silenced, the alarm symbol *Fig. 3 (14)* goes out and the temperature display stops flashing when the temperature is sufficiently cold again.

If the alarm status persists: (see Malfunction).

Note

Food may be spoilt if the temperature is not cold enough.

- ▶ Check the quality of the food. Do not consume spoiled food.

5.4.1 Muting the temperature alarm

The audible alarm can be muted. When the temperature is sufficiently cold again, the alarm function is active again.

- ▶ Press alarm button *Fig. 3 (19)*.
- ▷ The audible alarm is silenced.

5.5 Refrigerator compartment

The natural circulation of air in the refrigerator compartment results in zones differing in temperature. It is coldest directly above the plate separating off the BioFresh zone and at the rear wall. It is warmest at the top front of the compartment and in the door.

5.5.1 Food refrigeration

Note

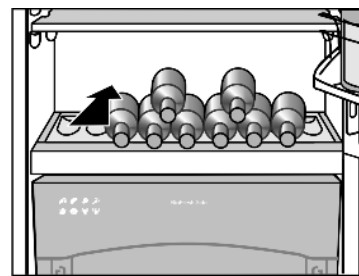
The energy consumption increases and the cooling performance decreases if the ventilation is inadequate.

- ▶ Always keep the air slits of the fan free.

- ▶ Place butter and preserves in the upper area and in the door (see Appliance at a glance).
- ▶ Use recyclable plastic, metal, aluminium and glass containers and cling film for wrapping.
- ▶ Use the front area of the refrigerator compartment floor only for briefly putting down cooled products, e.g. when rearranging and sorting. However do not leave cooled products there otherwise they may be pushed back or tipped over when the door is closed.
- ▶ Do not store food too close together to enable good air circulation.
- ▶ To safeguard bottles from tipping over: move the bottle holder.

At the base of the refrigerator compartment, the integrated bottle shelf or alternatively the glass shelf can be used:

- ▶ To use the bottle shelf: store the glass shelf compactly under the bottle shelf.
- ▶ Place the bottles with the base pointing backwards facing the rear wall. If the bottles project beyond the bottle shelf:
- ▶ set the lower door rack one position higher.



5.5.2 Setting the temperature

The temperature can be set from 9 °C to 3 °C, the recommended temperature is 5 °C.

- ▶ For a higher temperature setting: press Up button, refrigerator compartment *Fig. 3 (4)*.
- ▶ For a lower temperature setting: press Down button, refrigerator compartment *Fig. 3 (5)*.
- ▷ The first time the button is pressed, the value set so far is indicated in the refrigerator compartment temperature display.
- ▶ To change the temperature in 1 °C steps: briefly press the button.
- ▶ To change the temperature continuously: hold down the button.
- ▷ The value is displayed flashing during the setting operation.
- ▷ The actual temperature is displayed about 5 s after the last press of a button. The temperature slowly adjusts to the new value.

5.5.3 SuperCool

With SuperCool you switch to the highest cooling performance to reach lower cooling temperatures. Use SuperCool, to rapidly cool large amounts of food.

When SuperCool is activated, the fan runs. The appliance operates with maximum refrigeration. The noise of the refrigeration unit may be temporarily louder as a result.

The SuperCool function uses slightly more energy.

Cooling with SuperCool

- ▶ Briefly press SuperCool button *Fig. 3 (2)*.
- ▷ The SuperCool symbol *Fig. 3 (7)* lights up in the display.
- ▷ The cooling temperature drops to the coldest value. SuperCool is activated.
- ▷ SuperCool is automatically deactivated after 6 to 12 hours. The appliance continues to operate in the energy-saving, normal mode.

To prematurely deactivate SuperCool

- ▶ Briefly press SuperCool button *Fig. 3 (2)*.
- ▷ The SuperCool symbol *Fig. 3 (7)* goes out in the display.
- ▷ SuperCool is deactivated.

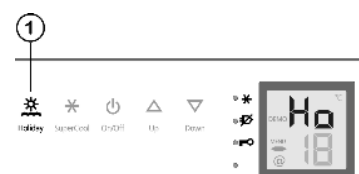
5.5.4 Holiday mode

The holiday mode saves energy and prevents odour from occurring when the door of the refrigerator compartment stays closed for a lengthy period.

The freezer compartment remains in operation in the holiday mode.

Activating the holiday mode

- ▶ Remove all the food from the refrigerator and BioFresh compartment, otherwise they will perish.
- ▶ Press the holiday button *Fig. 3 (1)* for 3 sec.



- ▷ The holiday mode is activated. The display indicates Ho.

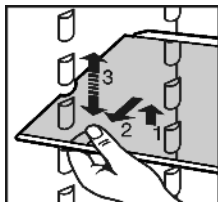
Deactivating the holiday mode

- ▶ Briefly press the holiday button *Fig. 3 (1)*.
- ▷ The holiday mode is deactivated.
- ▷ The current cooling temperature is indicated in the display.

5.5.5 Relocating the shelves

The shelves have stops preventing them from being unintentionally pulled out.

- ▶ Lift the shelf and draw it out forwards.



- ▶ Insert shelf with the raised edge pointing upwards at the back.

- ▷ The food does not freeze onto the rear wall.

5.5.6 Using the sectioned shelf

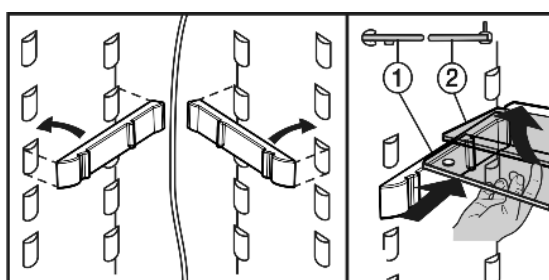
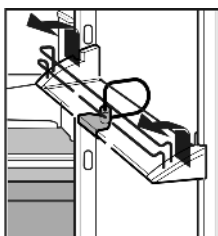


Fig. 18

- ▶ The glass shelf with stop face (2) has to be at the back.

5.5.7 Moving the storage rack

- ▶ Remove storage rack according to illustration.

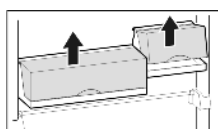


The boxes can be removed and placed on the table as a single unit.

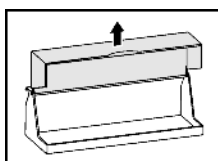
Only one box or both boxes can be used. If particularly tall bottles are to be stored, attach only the wide box above the bottle rack.

Three small boxes are available through the customer service as optional equipment instead of one wide and one small box.

- ▶ Re-positioning the boxes: Lift them for removal and re-position them as required.

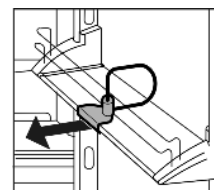


- ▶ To detach lid: Open 90° and raise to disengage.



5.5.8 Removing the bottle holder

- ▶ Always take hold of the bottle holder on the plastic part.



5.6 BioFresh compartment

The BioFresh compartment allows some types of fresh food to be stored up to three times longer than in conventional refrigerators, without compromising quality.

For food with an indicated best before date, the date specified on the packaging always applies.

5.6.1 HydroSafe

The HydroSafe at the moist setting is suited for storing unwrapped salad, vegetables and fruit with high inherent moisture. When the drawer is well filled, a dewy climate with up to 90% humidity is established. The humidity in the compartment depends on the moisture content of the food stored and on the opening frequency. You can set the humidity yourself.

5.6.2 Storing food

Note

- ▶ Vegetables sensitive to cold, such as cucumbers, aubergines, semi-ripe tomatoes, zucchinis and all tropical fruits sensitive to cold, do not belong in the BioFresh compartment.

- ▶ To prevent food spoilage due to transfer of germs: Store unwrapped animal and vegetable products separate from one another in the drawers. This also applies to different sorts of meat.

If food has to be stored together due to lack of space:

- ▶ wrap the food.

5.6.3 Storage times

Standard values for storage time at low humidity

Butter	up to	90	days
Hard cheese	up to	110	days
Milk	up to	12	days
Sausage, cold meat	up to	9	days
Poultry	up to	6	days
Pork	up to	7	days
Beef	up to	7	days
Game	up to	7	days

Note

- ▶ Please note that protein-rich food deteriorates faster, i.e. shellfish and crustaceans deteriorate faster than fish, fish faster than meat.

Standard values for storage time at high humidity

Vegetables, salad

Artichokes	up to	14	days
Celery	up to	28	days
Cauliflower	up to	21	days

Standard values for storage time at high humidity			
Broccoli	up to	13	days
Chicory	up to	27	days
Lamb's lettuce	up to	19	days
Peas	up to	14	days
Kale	up to	14	days
Carrots	up to	80	days
Garlic	up to	160	days
Kohlrabi	up to	55	days
Lettuce	up to	13	days
Herbs	up to	13	days
Leek	up to	29	days
Mushrooms	up to	7	days
Radishes	up to	10	days
Brussels sprouts	up to	20	days
Asparagus	up to	18	days
Spinach	up to	13	days
Savoy cabbage	up to	20	days
Fruit			
Apricots	up to	13	days
Apples	up to	80	days
Pears	up to	55	days
Blackberries	up to	3	days
Dates	up to	180	days
Strawberries	up to	7	days
Figs	up to	7	days
Blueberries	up to	9	days
Raspberries	up to	3	days
Currants	up to	7	days
Sweet cherries	up to	14	days
Kiwis	up to	80	days
Peaches	up to	13	days
Plums	up to	20	days
Cranberries	up to	60	days
Rhubarb	up to	13	days
Gooseberries	up to	13	days
Grapes	up to	29	days

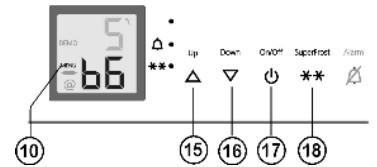
5.6.4 Adjusting the temperature in the BioFresh compartment

The temperature is automatically regulated to between 0 °C and 3 °C.

You can adjust the temperature slightly colder or warmer. The temperature can be adjusted from 51 (coldest temperature) to 59 (warmest temperature). The presetting is 55. With the 51 to 54 values, the temperature can drop below 0 °C and therefore food can freeze slightly as a result.

- ▶ To activate the setting mode: press the SuperFrost button *Fig. 3 (18)* for about 5 s.
- ▷ The menu symbol *Fig. 3 (10)* shines.

- ▷ The temperature display indicates: 5
- ▶ Press the Up setting button, freezer compartment *Fig. 3 (15)* the number of times required for 5 to flash in the display.
- ▶ To confirm: briefly press the SuperFrost button.
- ▶ To set the temperature higher: press Up button, freezer compartment *Fig. 3 (15)*.
- ▶ To set the temperature lower: press Down button, freezer compartment *Fig. 3 (16)*.
- ▶ To confirm: press SuperFrost button.
- ▷ The temperature slowly adjusts to the new value.





- ▶ To deactivate the setting mode: press On/Off button, freezer compartment *Fig. 3 (17)*.

-or-

- ▶ Wait for 5 minutes.

- ▷ The temperature is indicated again in the temperature display.

5.6.5 Setting the humidity in the HydroSafe

- ▶  Low humidity: move the regulator to the left.
- ▶  High humidity: move the regulator to the right.



5.6.6 Drawers

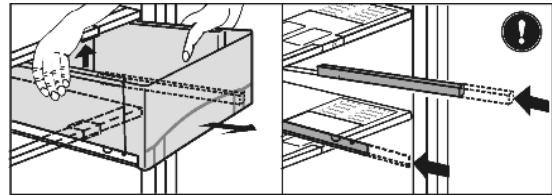


Fig. 19

- ▶ Pull out the drawer, lift it at the back and draw it forwards for removal.
- ▶ Push the rails in again!

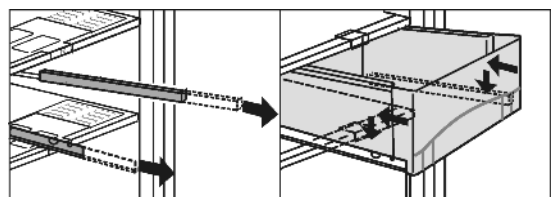


Fig. 20

- ▶ Pull out the rails.
- ▶ Attach the drawer to the rails and push it in until it engages audibly at the back.

5.6.7 Humidity control plate

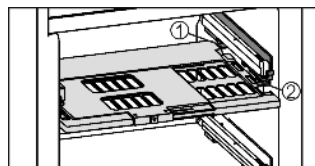


Fig. 21

- ▶ To remove the humidity control plate: Having removed the drawers, carefully draw the plate forwards and lower it for removal.
- ▶ To insert the humidity control plate: Insert the cover mouldings of the plate into the rear holder *Fig. 21 (1)* from underneath and engage them in the holder *Fig. 21 (2)* at the front.

5.7 Freezer compartment

You can store frozen food, make ice cubes and freeze fresh food in the freezer compartment.

5.7.1 Freezing food

The rating plate indicates the maximum quantity of fresh food you can freeze within 24 hours (see Appliance at a glance) under "Freezing capacity ... kg/24h".

The maximum load of frozen food for the drawers is 25 kg each and for the shelves 35 kg each.



CAUTION

Risk of injury due to broken glass!

Bottles and cans containing drinks may burst when being frozen. This applies particularly to sparkling drinks.

▶ Do not freeze bottles and cans containing drinks!

In order that the food is rapidly frozen through to the core, do not exceed the following quantities per pack:

- Fruit, vegetables up to 1 kg
- Meat up to 2.5 kg

▶ Pack the food in portions in freezer bags, reusable plastic, metal or aluminium containers.

5.7.2 Thawing food

- in the refrigerator compartment
- at room temperature
- in a microwave oven
- in a conventional or fan oven

▶ Food once thawed should be re-frozen only in exceptional cases.

5.7.3 Setting the temperature in the freezer compartment

The appliance is pre-set for normal operation.

The temperature can be set between -16°C and -26°C , the recommended temperature is -18°C .

▶ To set the temperature higher: press Up button, freezer compartment *Fig. 3 (15)*.

▶ To set the temperature lower: press Down button, freezer compartment *Fig. 3 (16)*.

▷ When the button is pressed the first time, the previous value is indicated in the temperature display of the freezer compartment.

▶ To change the temperature in 1°C steps: briefly press the button.

-or-

▶ To change the temperature continuously: hold down the button.

- ▷ The value is displayed flashing during the setting operation.
- ▷ The actual temperature is displayed about 5 s after the last press of a button. The temperature slowly adjusts to the new value.

5.7.4 SuperFrost

With this function you can freeze fresh food quickly through to the core. The appliance operates with maximum refrigeration. The noise of the refrigeration unit may be temporarily louder as a result.

The maximum amount of fresh food which can be frozen in 24 h is indicated on the type plate under "freezing capacity ... kg/24h". This amount varies according to the model and climate rating.

You do not have to activate SuperFrost in the following cases:

- when placing frozen food in the freezer

- when freezing up to about 2 kg fresh food daily

Freezing with SuperFrost

▶ Briefly press the SuperFrost button *Fig. 3 (18)* once.

▷ The SuperFrost symbol *Fig. 3 (13)* shines.

▷ The freezer temperature drops, the appliance operates with maximum refrigerating performance.

For a small amount of food:

▶ wait about 6 h.

▶ Place the fresh food in the top drawers.

For the maximum amount of food:

▶ wait about 24 h.

▶ Place wrapped food straight on the shelves and, once frozen, put it into the drawers.

▷ SuperFrost is automatically deactivated. Depending on the quantity placed inside, after 30 h at the earliest, 65 h at the latest.

▷ Freezing is concluded.

▷ The SuperFrost symbol *Fig. 3 (13)* goes out.

▷ The appliance continues to operate in the energy-saving, normal mode.

5.7.5 Drawers

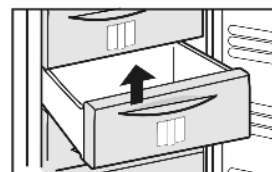
Note

The energy consumption increases and the cooling performance decreases if there is insufficient ventilation.

For appliances with NoFrost:

▶ Leave the bottom drawer in the appliance!

▶ Always keep the air slits of the fan free at the rear wall!



▶ To store frozen food directly on the shelves: pull the drawer forwards and lift it out.

5.7.6 Shelves

▶ To remove the shelf: lift up at the front and pull out.

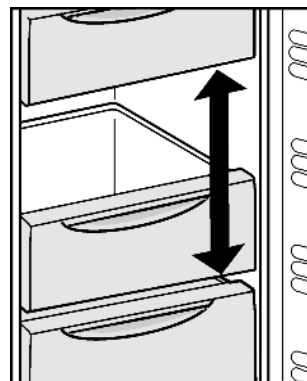
▶ To put the shelf back: simply push in as far as it will go.



5.7.7 VarioSpace

Apart from being able to remove the drawers, you can also remove the shelves, creating space for large items of frozen food. Poultry, meat, large pieces of game and high bakery products can be frozen in one piece and prepared.

▶ The maximum load of frozen food for the drawers is 25 kg each and for the shelves 35 kg each.



Maintenance

5.7.8 Information system

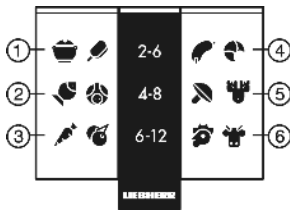


Fig. 22

- (1) Ready-made meals, ice cream
- (2) Pork, fish
- (3) Fruit, vegetables
- (4) Sausages, bread
- (5) Game, mushrooms
- (6) Poultry, beef/veal

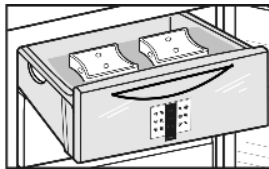
The figures indicate the storage time in months for several types of frozen food in each case. Storage times given are guide times.

5.7.9 Cold storage accumulators

The cold storage accumulators prevent the temperature from rising too fast in the event of power failure.

Using cold storage accumulators

- ▶ Place the cold storage accumulators in the top freezer compartment to save space.
- ▶ Place the frozen cold storage accumulators on the frozen food in the upper front area of the freezer compartment.



6 Maintenance

6.1 Defrosting with NoFrost

The NoFrost system automatically defrosts the appliance.

Refrigerator compartment:

The defrost water evaporates due to the compressor heat.

- ▶ Regularly clean the drain opening to allow the water to flow away (see 6.2).

Freezer compartment:

The moisture condenses on the evaporator, is periodically defrosted and evaporates.

- ▶ The appliance does not have to be manually defrosted.

6.2 Cleaning the appliance

Before cleaning:



CAUTION

Risk of injury and damage as a result of hot steam! Hot steam may damage the surfaces and cause burns.

- ▶ Do not use any steam cleaners!

NOTICE

Incorrect cleaning damages the appliance!

- ▶ Do not use cleaning agents in concentrated form.
- ▶ Do not use any scouring or abrasive sponges or steel wool.
- ▶ Do not use any cleaning agents containing sand, chloride, chemicals or acid.
- ▶ Do not use chemical solvents.
- ▶ Do not damage or remove the type plate on the inside of the appliance. It is important for the customer service.
- ▶ Do not pull off, bend or damage cables or other components.
- ▶ Do not allow any cleaning water to enter the drain channel, ventilation grille or electrical parts.

- ▶ Empty the appliance.
- ▶ Pull out the plug.

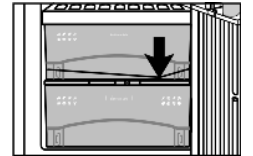
- Use soft cleaning cloths and a multi-purpose cleaning agent with neutral pH value.
- Only use food compatible cleaning and care agents on the inside of the appliance.



Outside surfaces and interior:

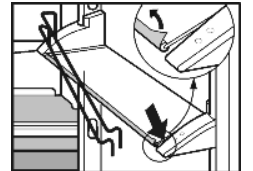
Do not clean the glass door with abrasive cleaning agents or rough cloths. Otherwise the surface and the frame may become dull or be scratched.

- ▶ Clean the glass door with a standard glass cleaning agent and a soft cloth.
- ▶ Clean the plastic surfaces, outside and inside, by hand using lukewarm water and a little washing-up liquid.
- ▶ To clean the drain opening: remove any deposits with a fine instrument, e.g. a cotton bud.

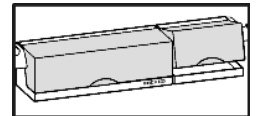


Items of equipment:

- ▶ Clean items of equipment by hand with lukewarm water and a little washing-up liquid.
- ▶ For cleaning, remove the support rails for the half-sized glass shelves.
- ▶ To dismantle the shelves: remove the trims and side parts.
- ▶ To dismantle the storage rack: remove the protective film from the decorative trims.



- ▶ Lift out the boxes and lift the covers for removal.



After cleaning:

- ▶ Wipe dry the appliance and items of equipment.
- ▶ Connect the appliance and switch it on again.
- ▶ Switch on SuperFrost (see 5.7.4).
- ▶ When the temperature is sufficiently cold:
- ▶ Put the food back inside.

6.3 Changing the interior light with bulb

Bulb data

T25 tube, Philips
max. 25 W
Fitting: E14

Type of current and voltage must conform with the details on the type plate

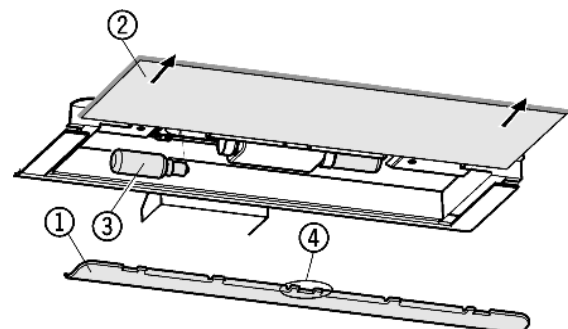


Fig. 23

- ▶ Switch off the appliance.
- ▶ Pull out the power plug or switch off the fuse.
- ▶ To remove the cover Fig. 23 (1): put your finger behind the cover and disengage it.
- ▶ Pull out the glass shelf Fig. 23 (2).

- ▶ Change the bulb *Fig. 23 (3)*.
- ▶ Slide the glass shelf back in.
- ▶ Attach the cover again, engage it at the right and left and pay attention that the middle hook *Fig. 23 (4)* grips over the glass shelf.

6.4 Customer service

First check whether you can correct the fault yourself by reference to the list (see Malfunzion). If this is not the case, please contact the customer service whose address is given in the enclosed customer service list.



WARNING

Risk of injury if repair work is not carried out professionally!

- ▶ Have any repairs and action - not expressly specified - on the appliance and mains cable carried out by service personnel only. (see Maintenance)

- ▶ Read the appliance designation *Fig. 24 (1)*, service No. *Fig. 24 (2)* and serial No. *Fig. 24 (3)* off the type plate located inside the appliance on the left-hand side.

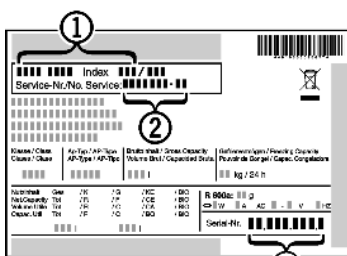


Fig. 24

- ▶ Notify the customer service, specifying the fault, appliance designation *Fig. 24 (1)*, service No. *Fig. 24 (2)* and serial No. *Fig. 24 (3)*.
- ▷ This will help us to provide you with a faster and more accurate service.
- ▶ Keep the appliance closed until the customer service arrives.
- ▷ The food will stay cool longer.
- ▶ Pull out the mains plug (not by pulling the connecting cable) or switch off the fuse.

7 Malfunzion

Your appliance is designed and manufactured for a long life span and reliable operation. If a malfunction nonetheless occurs during operation, check whether it is due to a handling error. In this case you will have to be charged for the costs incurred, even during the warranty period. You may be able to rectify the following faults yourself:

Appliance does not work.

- The appliance is not switched on.
- ▶ Switch on the appliance.
- The power plug is not properly inserted in the wall socket.
- ▶ Check power plug.
- The fuse of the wall socket is not in order.
- ▶ Check fuse.

The compressor runs for a long time.

- The compressor switches to a low speed when little cold is needed. Although the running time is increased as a result, energy is saved.
- ▶ This is normal in energy-saving models.
- SuperFrost is activated.
- ▶ The compressor runs for longer in order to rapidly cool the food. This is normal.
- SuperCool is activated.
- ▶ The compressor runs for longer in order to rapidly cool the food. This is normal.

Excessive noise.

- Speed-controlled* compressors may produce varying running noise due to different speed steps.
- ▶ The sound is normal.

A bubbling and gurgling noise.

- This noise comes from the refrigerant flowing in the refrigeration circuit.
- ▶ The sound is normal.

A quiet clicking noise.

- The noise is produced whenever the refrigeration unit (motor) automatically switches on or off.
- ▶ The sound is normal.

A hum. It is briefly a little louder when the refrigeration unit (the motor) switches on.

- The refrigeration increases automatically when the SuperFrost, function is activated, fresh food has just been placed in the appliance or the door has been left open for a while.
- ▶ The sound is normal.
- The refrigeration increases automatically when the SuperCool function is activated, fresh food has just been placed in the appliance or the door has been left open for a while.
- ▶ The sound is normal.
- The ambient temperature is too high.
- ▶ Solution: (see 1.2)

A low hum.

- The sound is produced by air flow noise of the fan.
- ▶ The sound is normal.

Vibratory noise.

- The appliance is not standing firmly on the floor. As a result, adjoining units or objects are set into vibration by the running refrigeration unit.
- ▶ Move the appliance away a little and align it using the adjustable feet.
- ▶ Move bottles and containers apart.

The temperature display indicates: F0 to F9

- There is a fault.
- ▶ Contact the customer service. (see Maintenance).

The temperature display indicates power failure . The warmest temperature reached during the power failure appears in the temperature display.

- The freezer temperature rose too high over the last hours or days due to a power failure or power interruption. When the power interruption is over, the appliance will continue to operate in the last temperature setting.
- ▶ To cancel the display of the warmest temperature: press alarm button *Fig. 3 (19)*.
- ▶ Check the quality of the food. Do not consume spoiled food. Do not re-freeze thawed food.

DEMO shines in the temperature display.

- The demo mode is activated.
- ▶ Contact the customer service. (see Maintenance).

The outside surfaces of the appliance are warm.

- The heat of the refrigeration circuit is used to prevent condensate from forming.
- ▶ This is normal.

The temperature is not cold enough.

- The door of the appliance is not properly closed.
- ▶ Close the door of the appliance.
- Insufficient ventilation.
- ▶ Clear ventilation grilles.
- The ambient temperature is too high.
- ▶ Solution: (see 1.2).
- The appliance was opened too frequently or for too long.
- ▶ Wait until the appliance reaches the required temperature itself. If not, contact the customer service. (see Maintenance).

Decommissioning

- Too much fresh food was placed inside without SuperFrost.
- ▶ Solution: (see 5.7.4)
- The temperature is incorrectly set.
- ▶ Set to a colder temperature and check after 24 h.
- The appliance is too close to a heat source.
- ▶ Solution: (see Putting into operation).

The interior light is not on.

- The appliance is not switched on.
- ▶ Switch on the appliance.
- The door was open longer than 15 min.
- ▶ The interior light automatically switches off if the door has been open for about 15 min.
- If the interior light is not on but the temperature display is lit, the bulb is faulty.
- ▶ Change the bulb. (see Maintenance).

8 Decommissioning

8.1 Switching off the appliance

Note

- ▶ To switch off the entire appliance it is necessary only to switch off the freezer compartment.
-

8.1.1 Switching off the freezer compartment

- ▶ Press On/Off button, freezer compartment *Fig. 3 (17)* for about 2 s.
- ▷ The temperature displays are dark. The appliance is switched off.

8.1.2 Switching off the refrigerator compartment with BioFresh compartment

Note

- ▶ The refrigerator compartment can be switched off separately, if required.
- ▶ Press On/Off button, refrigerator compartment *Fig. 3 (3)* for about 2 s.
- ▷ The temperature display of the refrigerator compartment *Fig. 3 (8)* is dark. The refrigerator compartment and BioFresh compartment are switched off.

8.2 Taking the appliance out of service

- ▶ Empty the appliance.
- ▶ Pull out the power plug.
- ▶ Clean the appliance (see 6.2).



- ▶ Leave the door open to prevent odour.

9 Disposing of the appliance

The appliance contains some reusable materials and should be disposed of properly - not simply with unsorted household refuse. Appliances which are no longer needed must be disposed of in a professional and appropriate way, in accordance with the current local regulations and laws.



When disposing of the appliance, ensure that the refrigeration circuit is not damaged to prevent uncontrolled escape of the refrigerant it contains (data on type plate) and oil.

- ▶ Disable the appliance.
- ▶ Pull out the plug.
- ▶ Cut through the connecting cable.