

Gebrauchsanweisung
Gefrierschrank

D

Operating instructions
Freezer

GB

Gebruiksaanwijzing
Diepvriestkast

NL

Mode d'emploi
Congelateur

F

Istruzione d'uso
Congelatore

I

Instrucciones de manejo
Congelador

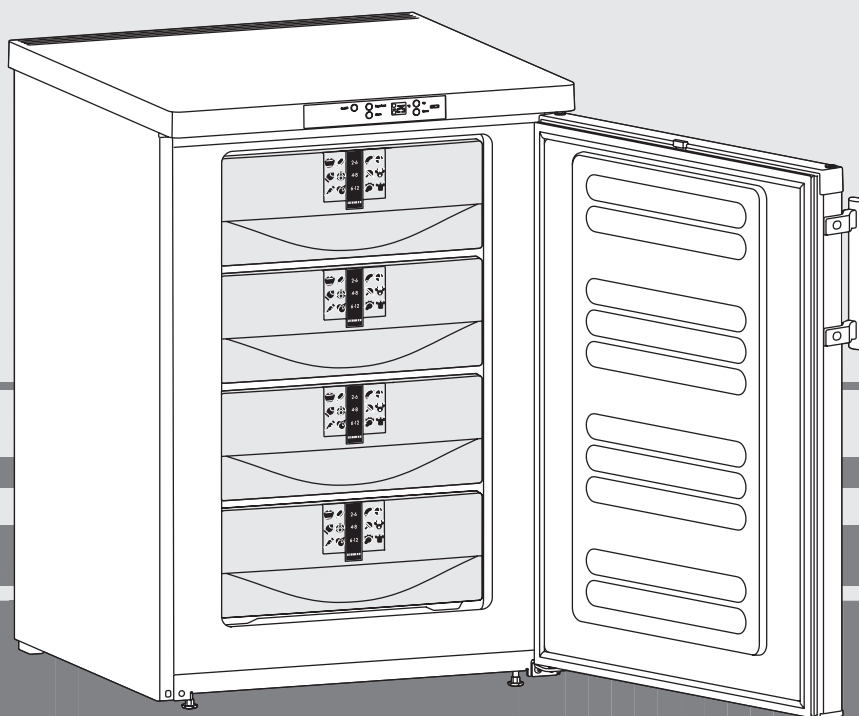
E

Manual de utilização
Congelador

P

Kullanım kılavuzu
Derin dondurucu

TR



7080 920-01

GP (es)14../13..

4210

Disposal notes

The packaging is made of recyclable materials.

- Corrugated board/board
- EPS moulded parts
- Polythene sheets
- Polypropylene straps

• Keep packaging materials away from children - polythene sheets and bags can cause suffocation!

• Please return the packaging to an official collection point.

Your old appliance: This contains some reusable materials and should be disposed of properly - not simply with unsorted household refuse.



- Discarded appliances should be disabled: Remove the plug, cut through the connection cable and render the catch unusable so that children cannot become trapped inside.
- Ensure that the refrigerant circuit is not damaged when the appliance that is no longer needed is taken away for disposal.
- Details of the refrigerant can be found on the type plate.
- Appliances which are no longer needed must be disposed of in a professional and appropriate way, in accordance with the current local regulations and laws.

Saving energy

- Always ensure good ventilation. Do not cover ventilation openings or grille.
- Do not place appliance in areas of direct sunlight or next to a stove, heater or similar object.
- The energy consumption depends on the installation conditions, e.g. the ambient temperature.
- Keep the time the appliance is open to a minimum.
- Store food logically.
- Ensure that all food is well packed and covered for storage. This will prevent frost from forming.
- First cool warm food to room temperature before storing it.
- If there is a thick layer of frost in the appliance: defrost the appliance.

Accumulated dust increases the energy consumption:

- Once a year, dust the refrigerating unit together with the metal grille of the heat exchanger at the back of the appliance.



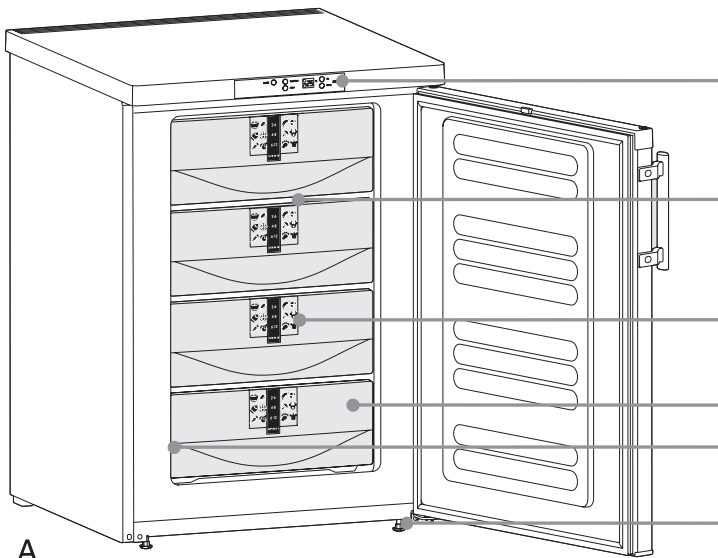
Note

- Shelves, drawers and baskets are arranged for optimum energy efficiency on delivery.

Contents

Page

Disposal notes, Saving energy, Safety instructions and warnings, Climate rating.....	6
Setting up, Connecting to the mains	
Dimensions, Switching the appliance on and off, Setting the temperature, Control elements	7
Child-proof lock, Freezing, storage	
Notes on freezing and storage, Equipment	8
Defrosting, Cleaning, Shutting your appliance down	
Malfunctions, Changing over door hinges.....	9



Safety instructions and warnings

- To prevent injury or damage to the unit, the appliance should be unpacked and set up by two people.
- In the event that the appliance is damaged on delivery, contact the supplier immediately before connecting to the mains.
- To guarantee safe operation, ensure that the appliance is set up and connected as described in these operating instructions.
- Disconnect the appliance from the mains if any fault occurs. Pull out the plug, switch off or remove the fuse.
- When disconnecting the appliance, pull on the plug, not on the cable.
- Any repairs and work on the appliance should only be carried out by the customer service department, as unauthorised work could prove highly dangerous for the user. The same applies to changing the mains power cable.
- Do not allow naked flames or ignition sources to enter the appliance. When transporting and cleaning the appliance ensure that the refrigerant circuit is not damaged. In the event of damage, make sure that there are no ignition sources nearby and keep the room well ventilated.
- Do not stand on the plinth, drawers or doors or use them to support anything else.
- This appliance is not intended for use by persons (including children) with reduced physical, sensory or mental capabilities or lack of experience and knowledge unless they have been given initial supervision or instruction concerning use of the appliance by a person responsible for their safety. Children should be supervised to ensure that they do not play with the appliance.
- Avoid prolonged skin contact with cold surfaces or chilled/frozen food. This could cause pain, numbness and frostbite. In the case of prolonged skin contact, protective measures should be taken, e.g. gloves should be worn.
- Do not eat ice cream, particularly ice lollies or ice cubes, immediately after taking them from the freezer compartment as there is a risk of "burning" because of the very cold temperatures.
- Do not consume food which has been stored for too long, as it could cause food poisoning.
- The device is designed exclusively for the cooling of foodstuffs. The applicable statutory regulations are to be observed in the event that the device is to be used for commercial cooling of foodstuffs. The device is not suitable for the storage and cooling of drugs, blood plasma, laboratory preparations or similar medicine-related materials and products as detailed in the Medical Devices Directive 2007/47/EC. Improper use of the device can cause the stored products stored in it to be damaged or the items can be spoiled. In addition, the device is not suitable for operation in explosion-prone areas.
- Do not store explosives or sprays using combustible propellants such as butane, propane, pentane etc. in the appliance. Electrical components might cause leaking gas to ignite. You may identify such sprays by the printed contents or a flame symbol.
- Do not use electrical appliances inside the appliance.

The operating instructions apply to several models. Differences may therefore occur.

The appliance is set to operate within specific ambient temperature limits according to its climate rating. These temperature limits should not be exceeded. The correct climate rating for your appliance is indicated on the type plate.

Operating elements

Climate rating

Ambient temperatures

VarioSpace

SN	+ 10° to + 32 °C
N	+ 16° to + 32 °C
ST	+ 16° to + 38 °C
T	+ 16° to + 43 °C

Info-System

Drawers

Type plate

Adjustable height feet

Setting up

- The floor on which the appliance stands should be horizontal and level. To compensate for any unevenness, adjust the height of the feet with the open-ended wrench supplied.
- Always position the appliance directly up against the wall.
- The ventilation grilles should not be obstructed.
- Condensation may form on the outside of the refrigerator/freezer during periods of high humidity. Constant ventilation of the installation site is recommend.
- Do not place heat-emitting appliances, e.g. microwave oven, toaster, etc., on top of the freezer.
- In order to avoid the risk of fire, do not place any burning candles, lamps or other objects with open flames on the refrigerator/freezer.
- Standard EN 378 specifies that the room in which you install your appliance must have a volume of 1 m³ per 8 g of R 600a refrigerant used in the appliance, so as to avoid the formation of inflammable gas/air mixtures in the room where the appliance is located in the event of a leak in the refrigerant circuit. The quantity of refrigerant used in your appliance is indicated on the type plate on the inside of the appliance.
- Fire hazard due to dampness!
If live parts or the mains lead become damp this may cause short circuits.
- The appliance is designed for use in enclosed areas. Do not operate the appliance outdoors or in areas where it is exposed to splash water or damp conditions.
- CAUTION! Risk of injury and danger of damage as a result of incorrect transport!
- Transport the appliance in a packed condition.
- Transport the appliance upright.
- Do not transport the appliance without assistance.
- The appliance may be moved only when it is empty.

Connecting to the mains

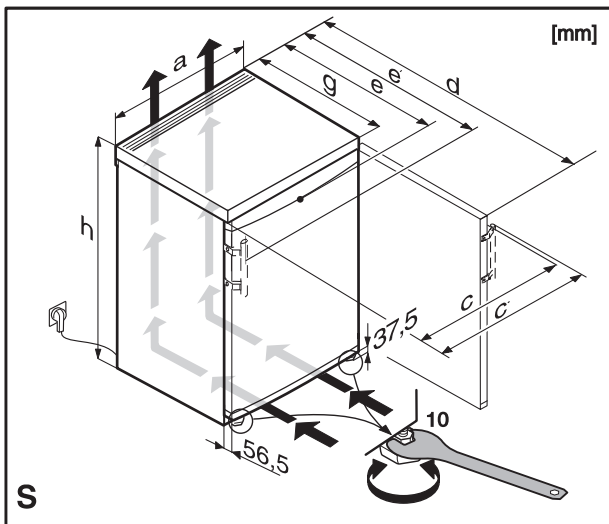
Power supply (a.c.) and voltage at the operating point must comply with the details on the type plate, which is located in the freezer compartment on the left-hand side. The socket must be fused with a 10 A fuse or higher, it must be away from the rear of the appliance and must be easily accessible.

- Do not connect the appliance to the supply with other equipment using a distribution outlet - risk of overheating.
- **Connect the appliance with a properly earthed fused plug and socket only.**

The wires in the mains lead are coloured in accordance with the following code: green/yellow = earth, blue = neutral, brown = live.
Warning! This appliance must be earthed.

Dimensions (mm)

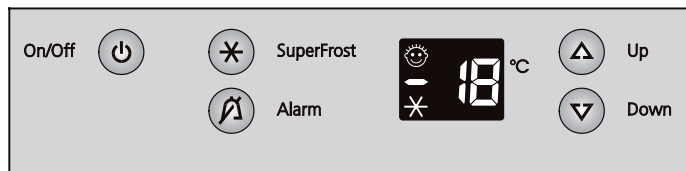
	h	a	g	e	e'	d	c	c'
GP 1366	851	553	611	624	653	1129	563	592
GP 1466	851	602	611	628	657	1174	613	640
GPesf 1466	851	602	611	610	657	1174	597	644



Switching the appliance on and off

You are recommended to clean the appliance before switching it on for the first time (see "Cleaning"). Connect the appliance to the mains - the appliance is switched on.

- The two illuminated dashes of the digital temperature display will light up until a temperature of 0°C is reached.
- If the temperature is below 0°C, the digital temperature display will show the temperature inside the appliance.
- **To switch the appliance off:** Press the **ON/OFF** button so that the temperature display goes dark.
- **To switch the appliance on:** Press the **ON/OFF** button until the temperature display lights up.



Setting the temperature

The appliance is pre-set for normal operation (-18°C).

- **To increase the temperature:** Press the top button.
- **To reduce the temperature:** Press the bottom button.
- While you are entering the temperature, the set temperature will flash on the display.
- You can change the settings in increments of 1°C briefly pressing the button again. If the buttons are held down the temperature setting will change faster.
- The electronic controls will switch over automatically about 5 seconds after the last time you pressed the button, and the actual temperature in the freezer will be displayed.

Control elements

Temperature display

The temperature display indicates the highest temperature in the freezer. The display is designed so that only temperatures below 0°C are displayed.



Temperature alarm

If the temperature display is flashing, this indicates that the temperature has risen too high. The audible warning signal will sound at the same time. Press the "ALARM" button to switch the signal off.



When the temperature drops again and reaches about -13 °C, the temperature display will stop flashing and will light constantly.

If **F4** or **F5** appears in the display, the appliance has a fault. It will be kept at the right temperature by means of a safety circuit. Consult your nearest customer service point.

Control elements

The "SUPERFROST" lamp

lights up when the "SUPERFROST" facility is switched on for freezing large quantities of fresh food (see "Freezing").



Power failure "frost-control" display

If **nA** appears in the display, this means that the freezer temperature has risen too high during the last few hours or days due to a power failure.



If you press the "ALARM" button whilst the display is reading **nA**, the highest temperature registered during the power failure will be displayed. Check the quality of the food and its suitability for consumption in case it has become too warm or even defrosted.



The highest temperature will appear for approx. 1 minute. After that, the actual temperature in the freezer will re-appear. The display can be switched off by repeatedly pressing the "ALARM" button.

Audible warning signal

The audible warning device helps to protect the frozen food and to save energy.

- It sounds when it is not cold enough in the freezer compartment. The temperature display will also flash;
- when too much warm air from the outside enters when inserting, re-arranging or removing frozen food.

The audible warning device is switched off by pressing the "ALARM" button. The temperature display will continue to flash until the cause of the alarm has been rectified.



Child-proof lock

The child-proof lock is designed to protect the appliance from being switched off accidentally.

Switching on the child-proof lock

- Keep the "SuperFrost" button pressed for 5 sec.

- The display reads *c (*c flashes)



- Press the "SuperFrost" button

- The display reads *c0 (*0 flashes)



- Press the Up button

- The display reads *c1 (*1 flashes)



- Press the "SuperFrost" button

- The LED ☺ will come on (*c flashes)



- Press the "ON / OFF" button.

The child-proof lock is now switched on.

Switching off the child-proof lock

- Keep the "SuperFrost" button pressed for 5 sec.

- The display reads *c ☺ (*c flashes)



- Press the "SuperFrost" button

- The display reads *c1 ☺ (*1 flashes)



- Press the Down button

- The display reads *c0 ☺ (*0 flashes)



- Press the "SuperFrost" button

- The LED ☺ goes dark (*c flashes)



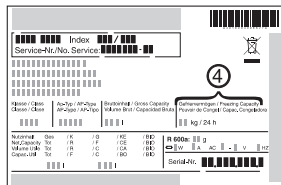
- Press the "ON / OFF" button.

The child-proof lock is now switched off.

Freezing, storage

Fresh food should be frozen to the core as rapidly as possible. This is provided by the "Superfrost" facility and ensures that the nutritional value, appearance and flavour of the food remains intact.

The maximum amount of food which can be frozen in 24 hours is shown on the type plate ("Freezing capacity ...kg/24 hours"). This amount varies according to the model and climate rating.



Freezing with Superfrost

- Press the Superfrost button. The Superfrost lamp comes on.



- For small amounts of frozen food 6 hours is sufficient. The maximum amount (see type plate) requires 24 hours.
- Place the fresh food in the freezer. The Superfrost function switches off automatically. Depending on the quantity of food placed in the freezer, this will normally be between 30 and max. 65 hours. The appliance will then switch back to the previously set temperature.

NB: When you press the Superfrost button, the compressor might not switch on for up to 8 minutes. This is due to the integrated rise-delay switch which is designed to increase the life span of the refrigeration unit.

Note: To save energy, "Superfrost" can be switched off before the 30 hours have elapsed by pressing the SF button again. Ensure that the temperature is at least -18°C.

You should not switch on the Superfrost function:

- when placing frozen food in the freezer;
- when freezing up to approx. 2 kg fresh food daily.

Notes on freezing and storage

- As a guideline for the storage time, the following applies to various foodstuffs in the freezer compartment:

Ice cream	2 to 6 months
Sausage, ham	2 to 6 months
Bread, cakes and pastries	2 to 6 months
Game, pork	6 to 10 months
Fish, oily	2 to 6 months
Fish, lean	6 to 12 months
Cheese	2 to 6 months
Poultry, beef	6 to 12 months
Vegetables, fruit	6 to 12 months

- Pack food which you are freezing yourself in quantities appropriate to your household. To ensure that the food freezes right through, the following quantities should not be exceeded per package: fruit, vegetables: up to 1 kg, meat: up to 2,5 kg.
- Blanch vegetables after washing and cutting them. (Add to boiling water for 2-3 minutes, remove and quickly cool down in cold water).
- Do not salt or season fresh food or blanched vegetables before freezing. Only lightly salt and season other food. The intensity of flavour of some spices can change.
- Pack frozen food in standard freezer bags or reuseable plastic, metal or aluminium containers.
- Do not allow fresh food which is to be frozen to come into contact with food already frozen. Always keep packs dry in order to avoid them sticking together.
- Always write the date and contents on the pack and do not exceed the stated storage time for the food.
- Do not freeze bottles and cans which contain carbonated drinks as they might burst.
- Only take out as much food as is immediately required for thawing. Use food which has been thawed in prepared meals as quickly as possible.

Frozen food can be thawed in the following ways:

- in a fan oven
- in a microwave oven
- at room temperature
- in the refrigerator: the cold given off by the frozen food is used for cooling.

Solid cuts of meat and fish can be cooked when partly thawed. Vegetables can be cooked from frozen (in half the normal time).

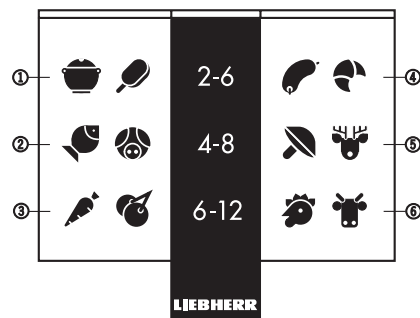
Equipment

Info-System

Use frozen food within the recommended period.

The numbers between the symbols indicate the storage period in months for different kinds of frozen foods.

Storage times given are guide times for food frozen at home. Whether or not the lower or upper value is applicable depends on the food quality and how it was processed prior to freezing. The lower values always apply to food with a high fat content.



① pre-cooked meals, ice-cream

② fish, pork

③ vegetables, fruit

④ sausages, bread

⑤ mushrooms, game

⑥ poultry, beef/veal

