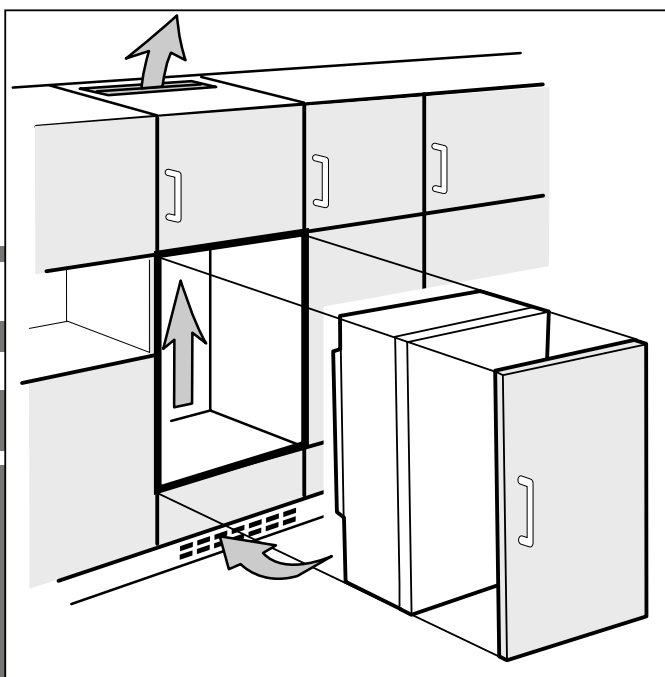


Installation instructions

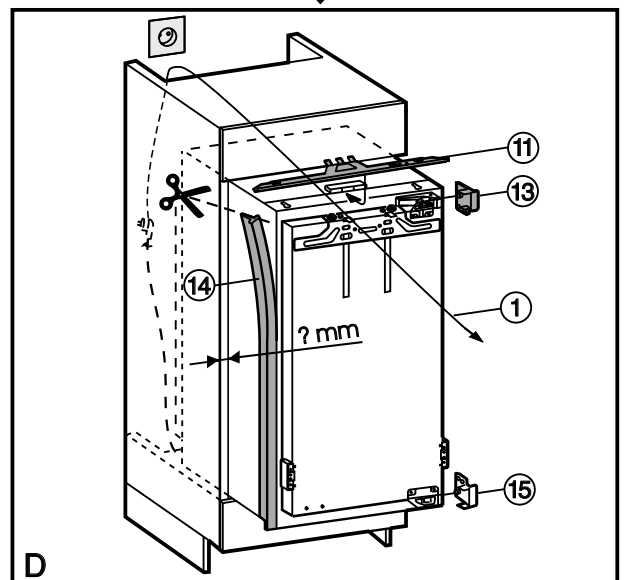
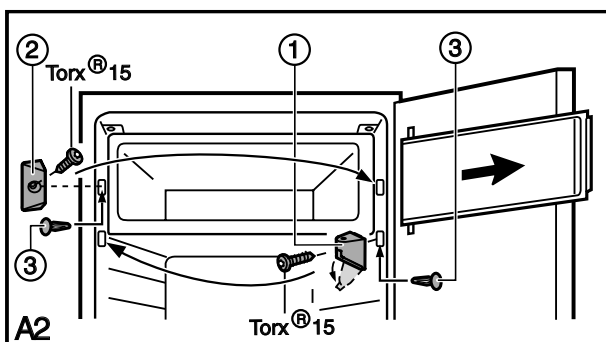
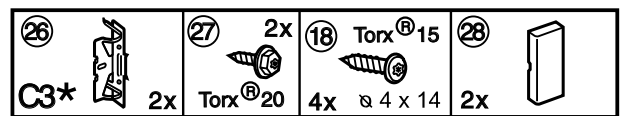
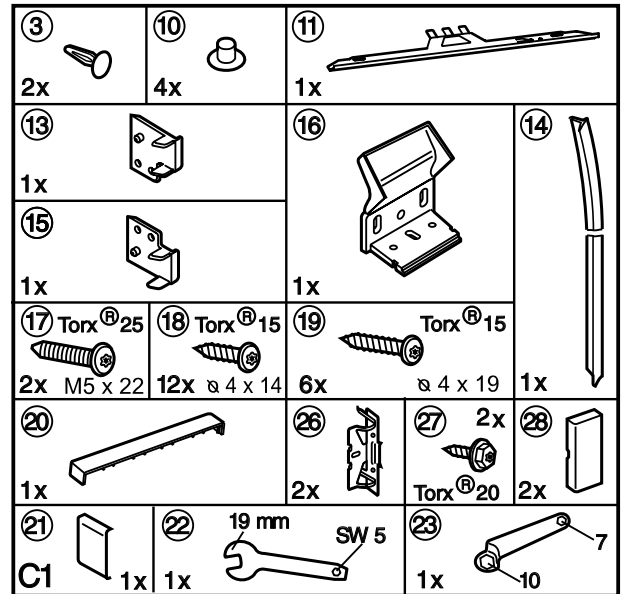
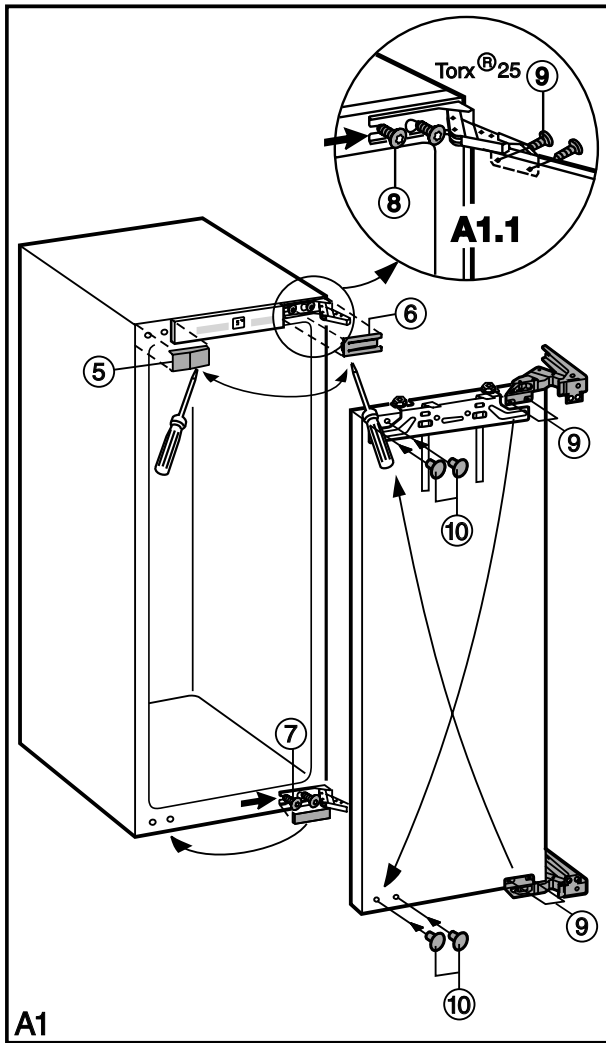
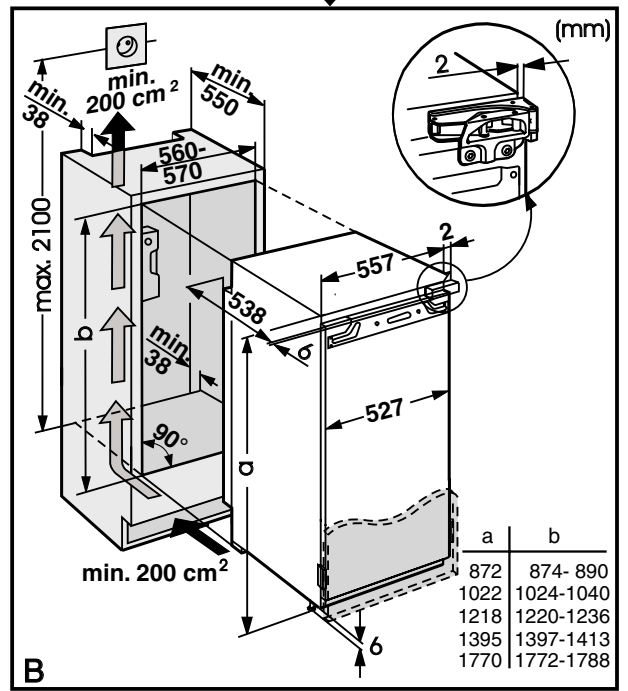
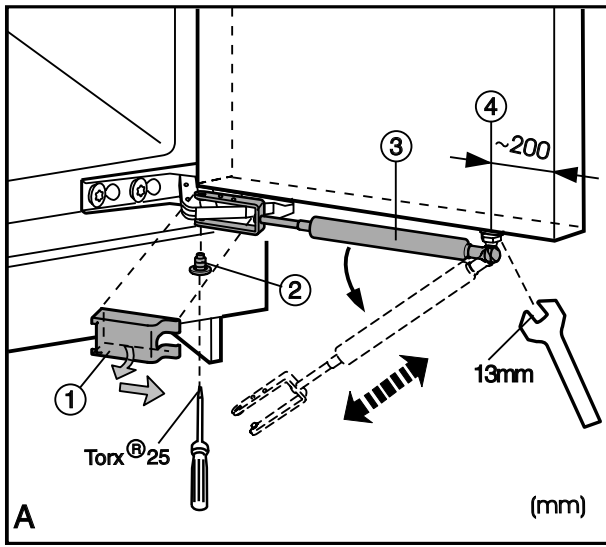
for refrigerators, BioFresh appliances, freezers, for integrated use
with door-on-door system

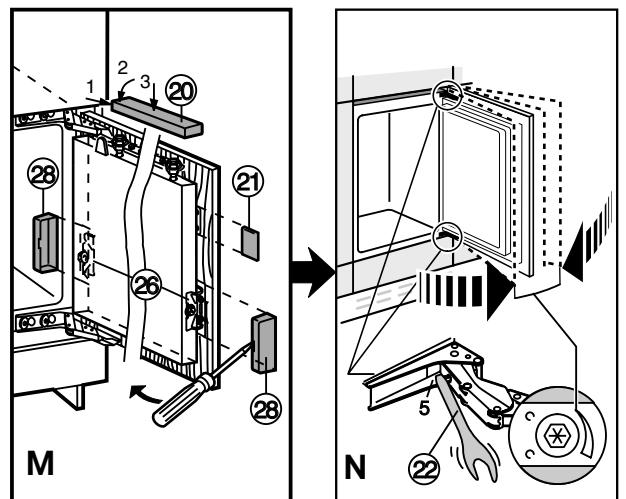
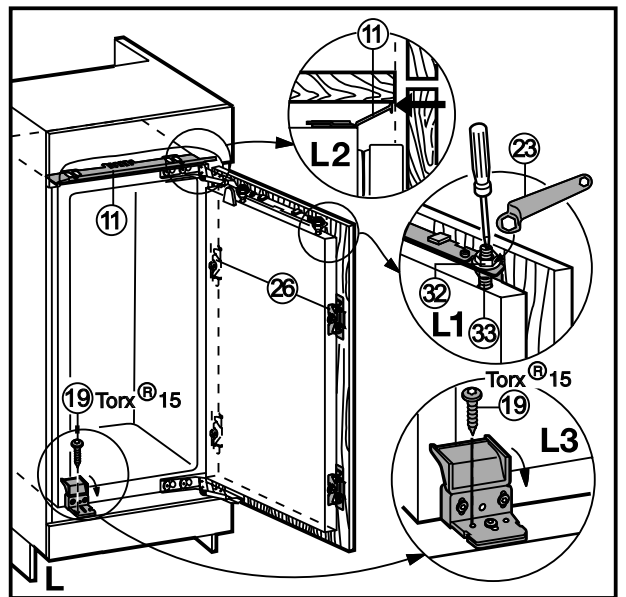
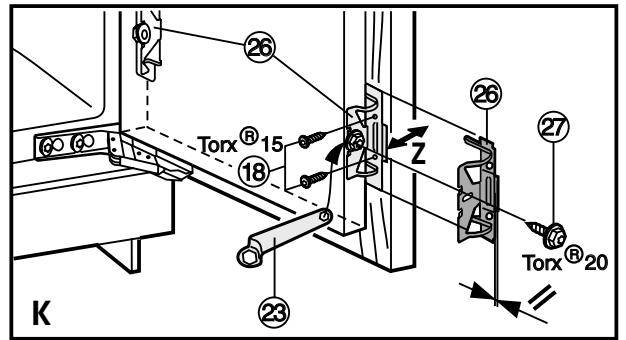
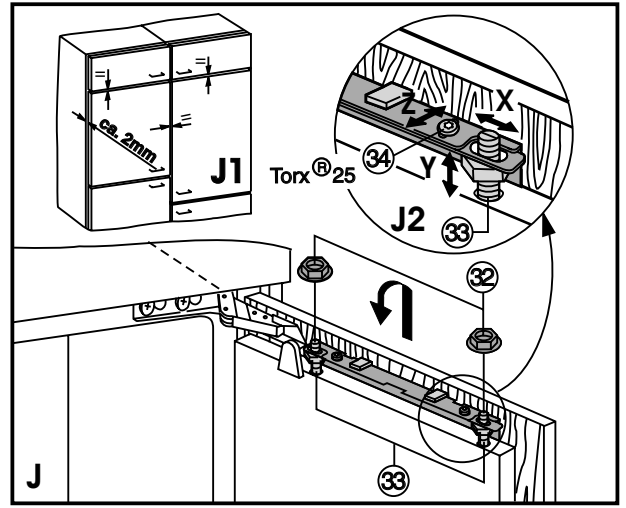
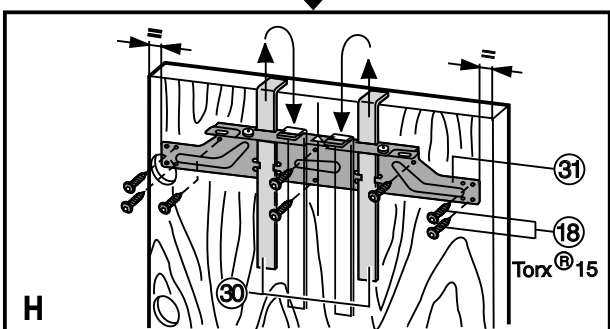
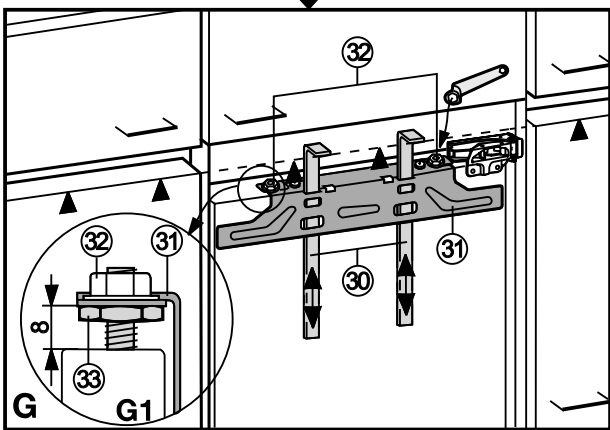
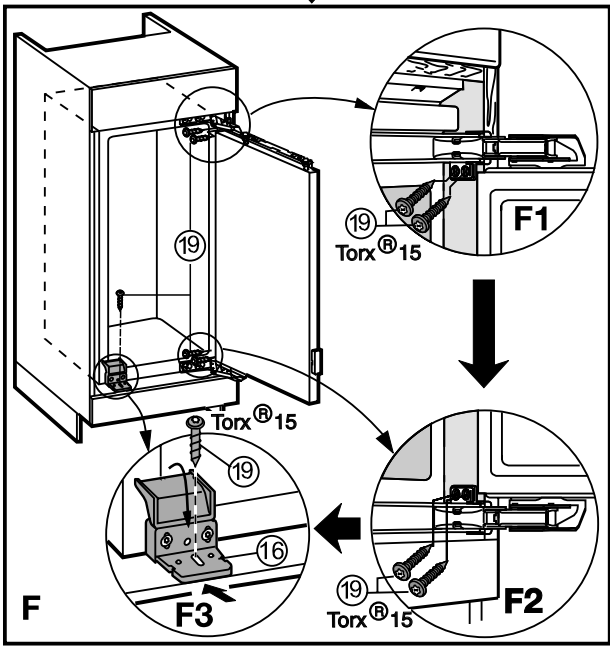
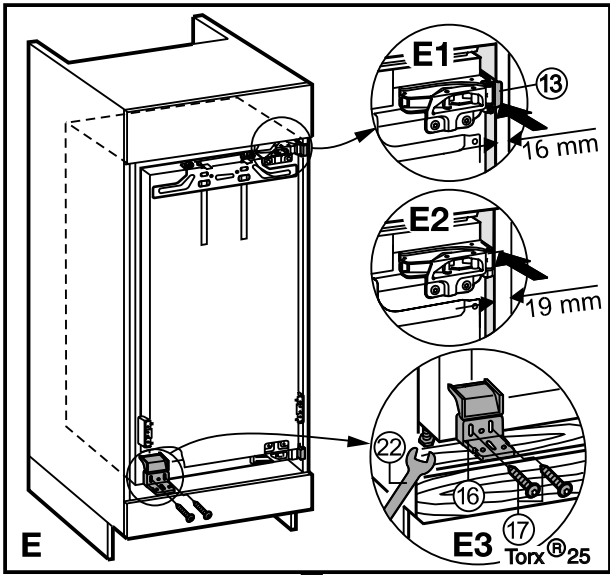
GB



7082 452-01

IK/IKP/IKB/IG 2406

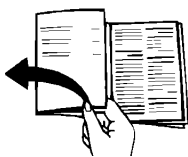




Installation instructions

Keep the installation instructions in a safe place and pass them on to the next owner of your appliance where applicable.

The operating instructions apply to several models. Differences may therefore occur. Before reading, please fold out and refer to the illustrated front page.



You additionally require the following tool for installation:
Cordless screwdriver Torx®15, 20, 25, spanner 13.

Changing over door hinges

Fig. A1 The door hinges can be changed from one side to the other if need be. Otherwise continue from "Installation information", fig. B.

- To simplify installation, slide the appliance three-quarters of the way into the recess. Open the door.

For models with soft stop ③ * proceed according to fig. A (otherwise continue according to fig. A1).

For appliances 870 mm high: remove the lower storage rack for easier installation.

- Fig. A: Detach the soft stop mechanism:
Please note the soft stop mechanism contracts in the detached state!
- Take hold of cover ① at the back for removal, bend it downwards a little and push it away to the side.
- Undo screw ②, while pressing the fork of the soft stop mechanism downwards so that it cannot suddenly disengage.
- Carefully disengage the fork of the soft stop mechanism from the hinge - the mechanism contracts!
- Unscrew the ball stud ④ together with the soft stop mechanism from the door and set it aside.
- Fig. A1, lift off cover parts ⑤, ⑥ and ⑦ in a forward direction using a flat-blade screwdriver.
- Detail fig. A1.1: Loosen the attachment screws ⑧ on the top and bottom of the body of the appliance.
 - Pull the door outwards and remove.
- Transfer the attachment screws ⑧ to the other side and screw in a little way.
- Fig. A1: Unscrew the door attachment screws ⑨ and replace the hinges in the diagonally opposite corner.
NB: Do not fold the hinges together - danger of injury!
 - Use a cordless screwdriver to screw down the hinges - the screws ⑨ are self-tapping.
- Close the holes on the other side with the plugs ⑩.
- Suspend the appliance door in the ready inserted screws ⑧ and tighten screws.
- Fig. A: Fit the soft stop mechanism ③ * back in place: Screw ball stud ④ together with soft stop mechanism into the new fastening hole.
- Draw the fork out of the soft stop mechanism, put it over the hinge and attach with the stud.
- Re-fasten with screw ③, while pressing the fork onto the hinge so that it does not disengage.
- Fit all the cover parts back in place.



Changing the compartment door

- Fig.A2: At the hinge ① fold away the cover. Unscrew the hinge ① and remove the compartment door with the hinge.
- Unscrew the closure ②.
- Close the holes with the plugs ③.
- Rotate the door and closure by 180° and replace on the other side: Insert the compartment door at the top, put the hinge ① in place at the bottom, screw down again and close the cover.

GB

Installation information

- This appliance can also be used to **replace an existing appliance**.
In this case, remove the hinges on the unit door and in the recess. They are no longer needed as the unit door is fitted to the appliance door.
- Fig. B: Align the unit with a spirit level and an angle. If necessary, level out by building up from underneath. The shelf and side walls of the unit must be at right-angles to one another.
- Fit the refrigerator/freezer in stable kitchen units only.
- The following ventilation gaps must be observed:
 - The depth of the ventilation channel at the rear of the unit must be at least 38 mm.
 - There must be a ventilation space of at least 200 cm² underneath and at the top of the unit. the greater the area the more economically the appliance will run.
- Check installation dimensions in accordance with fig. B: Appliance height a, recess height b

Connecting to the mains

Power supply (AC) and voltage

at the operating point must comply with the details on the type plate. It is located inside the appliance on the left-hand side.

- The appliance must be connected with a properly installed fused socket.
- The fuse of the plug has to be 10 A or more, it must be situated away from the rear area of the appliance and be easily accessible.
- Do not
 - connect to stand-alone inverters,
 - operate with so-called energy-saving plugs - this can damage the electronic system.
 - connect together with other appliances using an extension cable - danger of overheating.
- When removing the mains cable from the back of the appliance, remove the cable holder to prevent vibration noise.

Installation instructions

Installation and fitting

Figs. C1-3: All installation components are supplied.

- Fig. D: Fit equaliser trim (1) centered on the appliance: slide into the channel and engage in the key holes.
- Route the mains cable with the aid of string (1) in such a way that the appliance can be easily connected after installation.
- Slide the appliance three-quarters of the way into the recess.
- Note the thickness of the unit walls:
For 16 mm unit wall (568 mm recess):
 - Fig. D: Stick sealing strip (14) onto the side of the appliance on the handle side flush with the front: remove the protective film and stick on; shorten to recess height if necessary.
 - Clip spacers (13) and (15) onto the hinges.
 - Fig. E: Slide appliance into the recess until the spacers make contact with the side of the units, Fig. E1.
- **For 19 mm unit wall** = 562 mm recess:
 - Fig. E2: Slide the appliance into the recess until the fronts of the hinges are flush with the sides of the unit walls; note the additional space needed for units with door furniture (knobs, sealing lips, etc.). Allow the hinges to protrude by the additional distance required. Press the appliance on the hinge side against the wall of the unit.
- Fig. E3: Level the appliance by adjusting the adjustable feet with the spanner provided (22). Align the body of the appliance parallel to the front edges of the side walls of the unit.
- Screw plastic bracket (16) onto the handle side of the appliance with M5 screws (17).
 - Make sure the front of the plastic bracket (16) is flush with the front edge of the floor of the unit.
Do not forget the additional space required if the unit has door furniture (knobs, sealing lips, etc.) and align parallel to the front edge of the hinge.
- Fig. F: Screw the appliance into the recess.
 - Figs. F1/2: Screw in with long wood board screws (19) through the hinge plates at the top and bottom.
 - Fig. F3: Screw in temporarily with a long screw (19) through the middle of the long slot on the plastic bracket (16). Fold up the cover on the plastic bracket and close the appliance door.

Fitting the unit door

- Fig. G1: Check the 8 mm default setting (distance between appliance door and bottom edge of attachment strut).
- Fig. G: Slide the fitting aids (30) up level with the unit door, underside of stop edge ▲ of fitting aid = upper edge of unit door
- Fit the attachment strut (31) on the unit door:
 - For this purpose, unscrew the strut by way of the counter-nuts (32) fig. G
 - Fig. H: Suspend the strut with the fitting aids (30) on the inside of the unit door and align centrally (draw a short line in the middle of the unit door, align the arrow on the strut with it keeping the same distance to outer edges on left and right).
- Fasten the attachment strut (31) in the centre:
 - Fig. H: with at least 6 screws if the doors are made of wood board,
 - with 4 screws round the edge in the case of panel doors.
 - Lift the fitting aids (30) out to the top, turn round and insert into the adjacent openings.

- Fig. J: Suspend the unit door on the door of the appliance/ adjusting pins do. Screw the counter-nuts (32) loosely onto the adjusting pins. Close the door.
- Fig. J1: Check the gap between the door and the surrounding unit doors.
 - Fig. J2: Align the unit door flush with the surrounding unit fronts: align laterally (X) by sliding in the corresponding direction, adjust height (Y) and lateral tilt with the adjusting pins (33) using a screwdriver.
 - Tighten counter-nuts (32).
- Fig. K: Secure the mounting bracket (26) to the pre-drilled holes in the appliance door using the hexagonal screw (27).
- Screw the appliance door onto the unit door with the attachment brackets (26):
 - Ensure that both metal edges are flush (symbol //). Drill attachment holes (making a hole with a bradawl) and screw tight.
- Adjust the depth of the unit door (Z):
 - Fig. J2: top: loosen screws (34),
 - Fig. K: bottom: loosen the hexagonal screws (27) with the ring spanner (23) provided and adjust the door.
 - Fig. J1: Allow an air gap of approx. 2 mm between the unit door and the body of the unit. Do not allow knobs and sealing lips to make contact with the appliance as this can have a detrimental effect on its function.
- Fig. L: If the unit door is large or divided into separate parts, attach another pair of attachment brackets (26) (accessories bag, fig. C3). Use the pre-drilled holes in the handle area of the appliance door.
- Check that the door is properly positioned, and readjust if necessary. Tighten all screws.
 - Fig. L1: Tighten the counter-nuts (32) with the ring spanner (23) provided, holding the adjusting pins (33) in position with a screwdriver.
- Fig. L2: If necessary, align the equaliser trim (1) parallel with the floor of the unit. It must not project.
- Fig. L3: Fix the appliance in the round hole at the bottom with the second screw (19) through the plastic bracket.
- Fig. M: Fit all the covers:
 - Place the top cover (20) in position and click into place.
 - Place lateral cover (21) in position, slide it to the limit, then press on the cover until it audibly engages.
 - Slide on cover (23) laterally, draw the cover forwards using a screwdriver according to fig. M so that it engages well into place.
- Fig. N: The opening resilience of the door can now be adjusted. Adjust using the no. 5 Allen key provided.
 - Turn clockwise for stronger resilience.
 - Turn anticlockwise for = weaker resilience (factory setting).

The manufacturer works constantly on the further development of all the types and models. Therefore please understand that we have to reserve the right to make design, equipment and technical modifications.