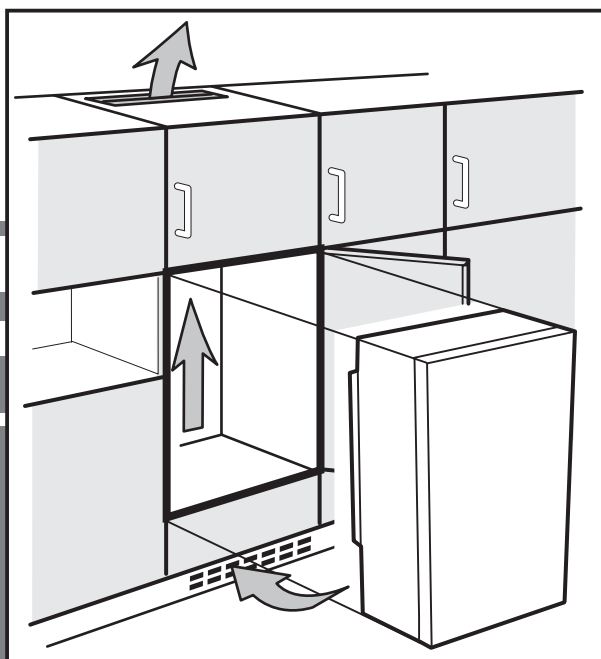


Installation instructions

for refrigerators and freezers for integrated use with door slider

GB



7082 454-02

IKS/IGS 2410

LIEBHERR

Installation instructions

Keep the installation instructions in a safe place and pass them on to the next owner of your appliance where applicable.

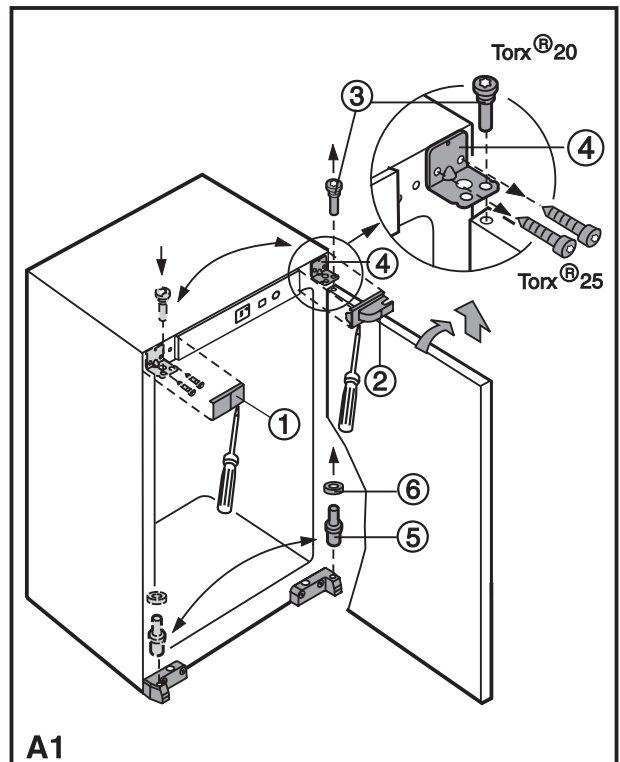
The operating instructions apply to several models. Differences may therefore occur.

You additionally require the following tool for installation: Screwdriver Torx®15, 20, 25, 30

Changing over door hinges

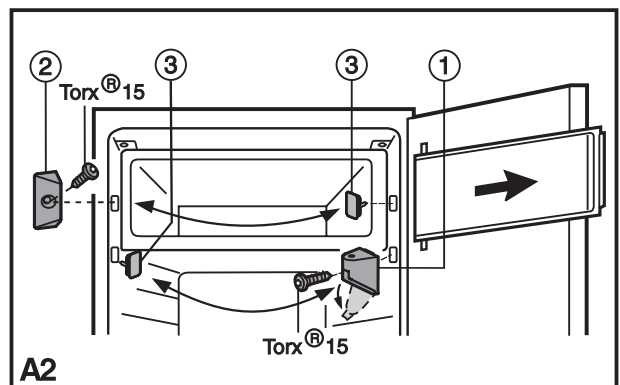
Fig. A1. The door hinges can be changed from one side to the other if need be. Otherwise continue from "Installation information", Fig B.

- Fig. A1 Lift off cover parts ①, ② in a forward direction.
- Unscrew the hinge pin ③.
- Tilt the door and lift off.
- Unscrew hinge ④ and screw it on again at the opposite side using the same screws.
- Relocate the lower hinge pin ⑤ with washer ⑥.
- If the appliance has a freezer compartment, now change the compartment door.
- Fit the door back in place: at the bottom place door on hinge pin ⑤, at the top pass hinge pin ③ through **outer** hole in the hinge into the door bearing and tighten.
- Rotate cover parts through 180° and re-attach them to the other side.



Changing the compartment door

- Fig. A2: At the hinge ① fold away the cover. Unscrew the hinge ① and remove the compartment door with the hinge.
- Unscrew the closure ②.
- Close the holes with the plugs ③.
- Rotate the door and closure by 180° and replace on the other side: Insert the compartment door at the top, put the hinge ① in place at the bottom, screw down again and close the cover.



Installation information and dimensions

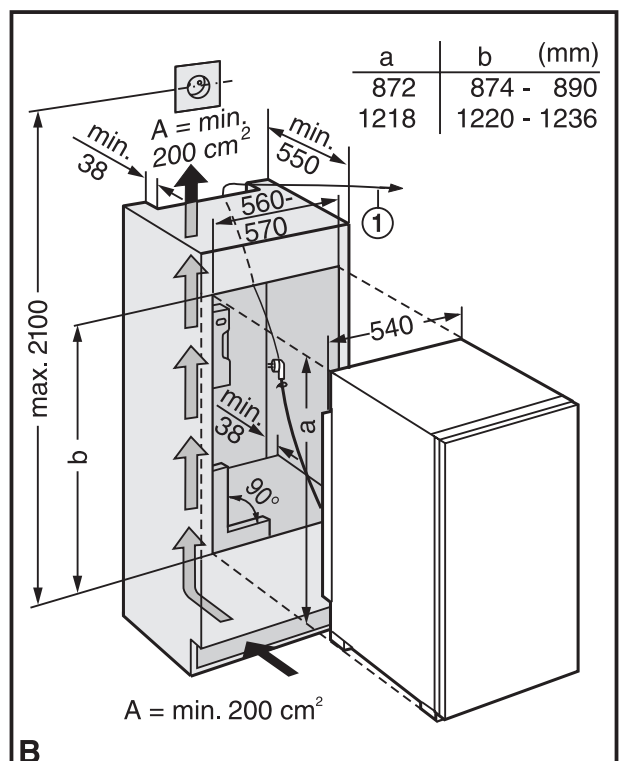
- Fig. B: Align the unit with a spirit level and an angle. If necessary, level out by building up from underneath. The shelf and side walls of the unit must be at right-angles to one another.
- Fit the refrigerator/freezer in stable kitchen units only.
- The following ventilation dimensions must be observed:
 - The depth of the ventilation channel at the rear of the unit must be at least 38 mm.
 - There must be a ventilation space of at least 200 cm² underneath and at the top of the unit, the greater the area the more economically the appliance will run.
- Check installation dimensions in accordance with Fig. B: Appliance height (carcass) = a, recess height = b
- Route the mains cable with the aid of string 1 in such a way that the appliance can be easily connected after installation, Fig. B

Connecting to the mains

Power supply (AC) and voltage

at the operating point must comply with the details on the type plate. It is located inside the appliance on the left-hand side.

- **The appliance must be connected with a properly installed fused socket.**
- The fuse of the plug has to be 10 A or more, it must be situated away from the rear area of the appliance and be easily accessible.
- Do not
 - connect to stand-alone inverters,
 - operate with so-called energy-saving plugs - this can damage the electronic system.
 - connect together with other appliances using an extension cable - danger of overheating.
- When removing the mains cable from the back of the appliance, remove the **cable holder** to prevent vibration noise.



Installation instructions

Fastening in kitchen unit

- Fig. C: All installation components are supplied.

- Slide appliance 3/4 of the way into the kitchen unit
- Fig. D: Fit equaliser trim (10) so as to be flush with the side wall of the appliance on the handle side: slide it into the channel and engage it in the key holes
- Remove cover (1), Fig. D1.
- Screw on fastening bracket (11) with screws (13).
- Slide the appliance into the recess, leaving a gap of approx. 4 mm on the handle side. Pay attention to the mains cable!
- Align the appliance depthwise:
 - Align the front edge of the hinges (6) (7) and
 - fastening bracket (11) so as to be **flush** with the front edge of the unit floor and side wall.
- Align the appliance heightwise: using the adjusting screws (23) Fig. D2.
- Use sealing strip bn to close the gap between the appliance and the unit wall on the handle side: Press the sealing strip (12) into the gap, starting at the bottom. Shorten the sealing strip length to the extent extending to the bottom edge of the fastening bracket (11).
- Fig. E: Slide the appliance up to the unit wall (the sealing strip will be compressed).
- Fasten/fix the appliance in the recess using chipboard screws (14)/(19): through fastening bracket (11) at the top Fig. E1, while pressing the appliance against the wall of the unit; at the bottom through adjusting screws (23) in the hinge (6) (7), Fig. E2.

WARNING

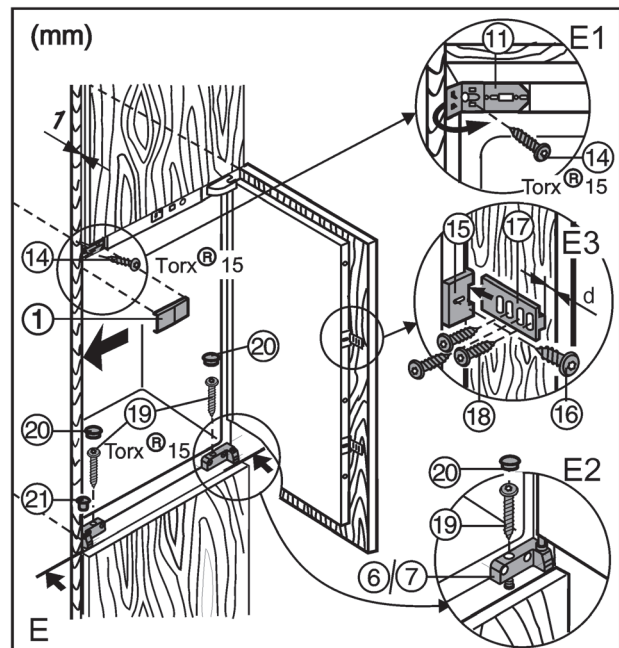
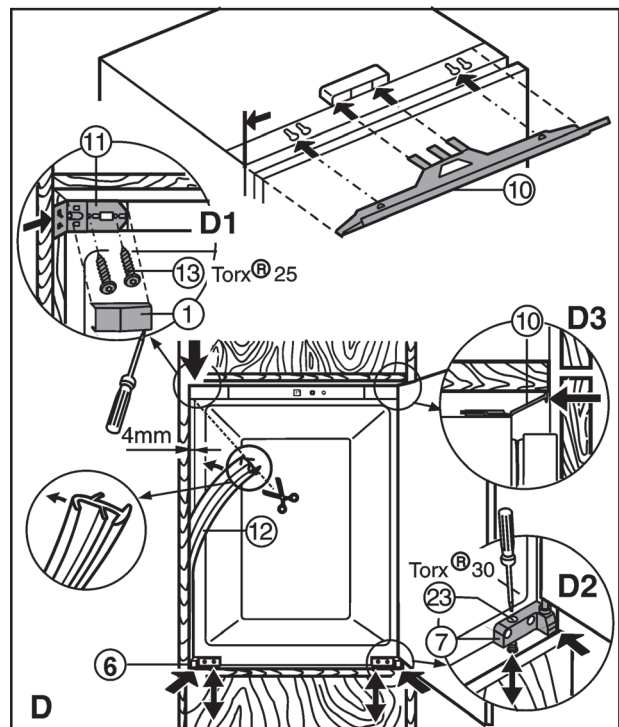
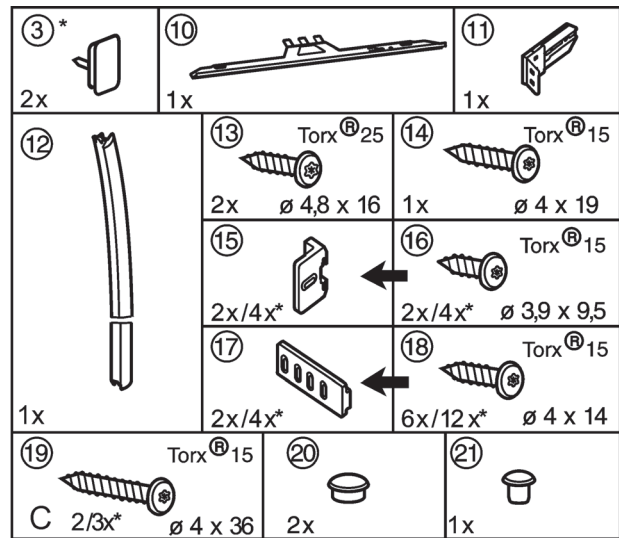
Risk of injury if the door tips!

- If the bearing parts have not been sufficiently tightened the door can tip outwards. In addition the door may not close, meaning that the appliance does not cool properly.
- Screw on the bearing brackets/bearing pins tightly to **at least 4 Nm**.
- Check all of the screws and retighten if necessary.

- If necessary, align the equaliser trim (10) by moving it parallel to the ceiling of the unit - it must not be proud, Fig. D3.

- Fig. E: Fold in side part of the fastening bracket (11).
- Re-engage cover (1).
- Close all holes with stoppers (20) (21).

- Depending on the height of the handle and whether the door is divided or not, fit a door connecting element (15) Fig. E3.
- With the door wide open, insert the connection rails (17) and screw onto the unit door. Note distance **d** to the **outer edge of the unit door**, **d = thickness of unit wall**.
- Adjust the door connecting element so that the unit door does not make contact with the unit wall on the handle side (gap of approx. 1 mm).
- If the unit door is large or divided into separate parts, attach another door connector if necessary!



The manufacturer works constantly on the further development of all the types and models. Therefore please understand that we reserve the right to make design, equipment and technical modifications.

